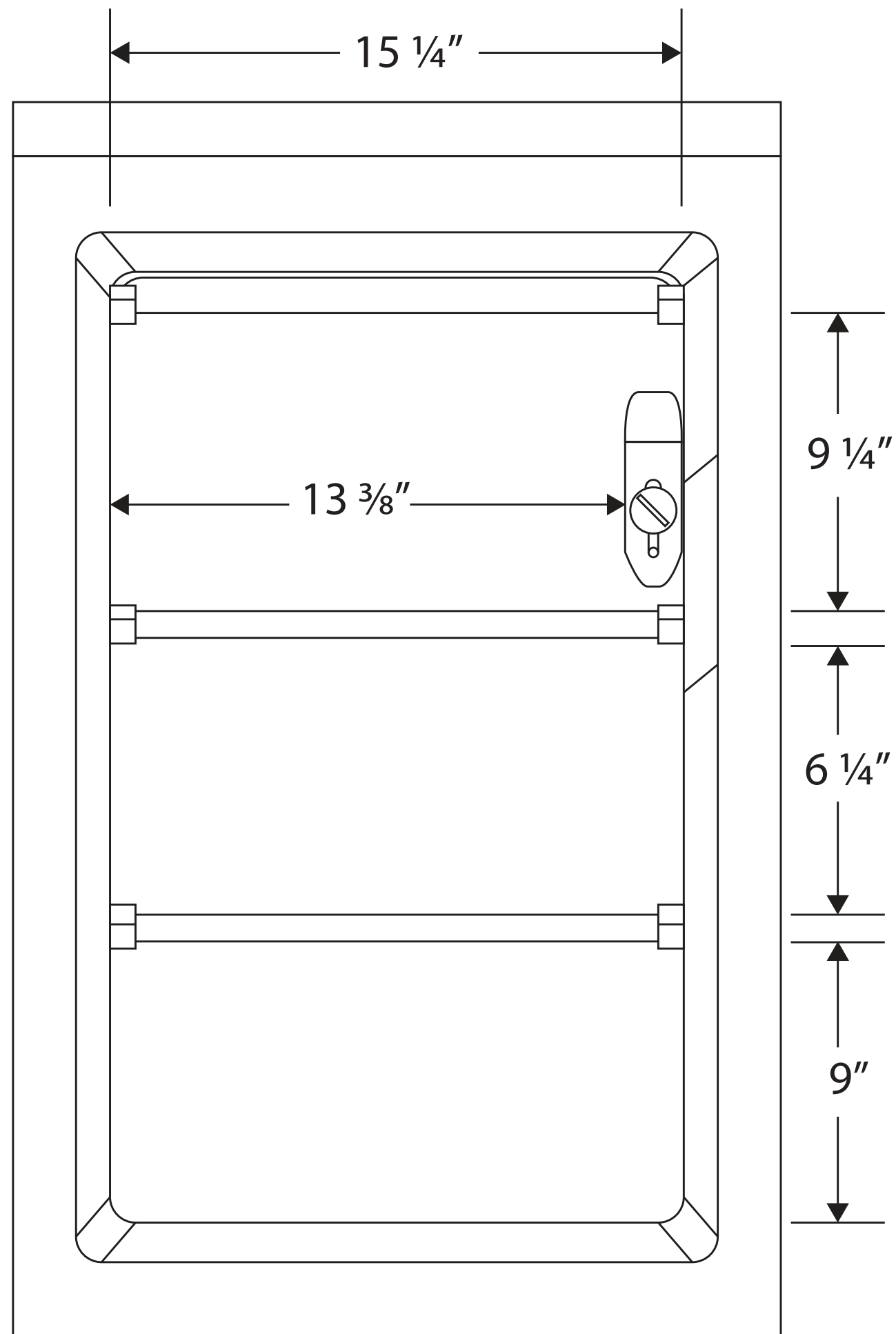
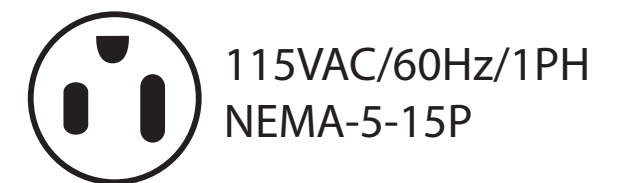
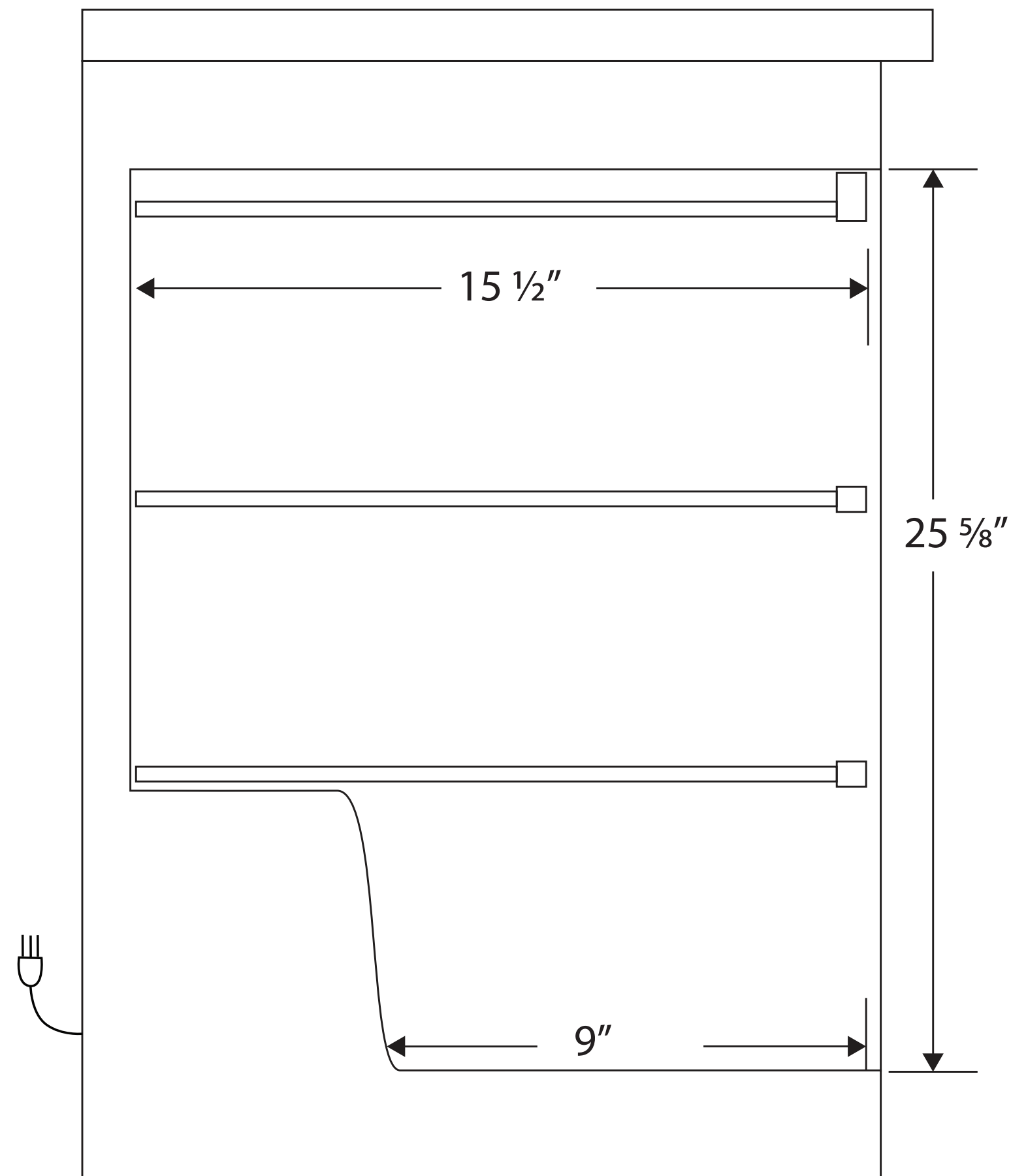


Interior

Front View



Side View


Cat# 10819-894/HCUCFS-0420

Cu.Ft.	Defrost	Door	Int Door	Shelves	Interior Dimensions			Refrigerant	H.P.	Amps	Weight
					W"	D"	H"				
4	Manual	1 Solid	0	2 Fixed	15 1/4	15 1/2	25 5/8	R600a	1/7	.90	67 lbs.

Note: Interior dimensions are estimates and subject to change without notice