



Instruction Manual
Advanced Mini Block Heaters
Advanced Mini Block Heater with Heated Lid



TABLE OF CONTENTS

Package Contents	1
Warranty	1
Installation	2
Maintenance & Servicing	2
Environmental Conditions	2
Safety Instructions	3-4
Standards & Regulations	3-4
Specifications	5
Control Panel	6
Operating Instructions	7-10
Troubleshooting	11
Replacement Parts	12-13

PACKAGE CONTENTS

Mini Block Heater
Block Lifter Tool
92" (234cm) detachable power cord
Instruction manual

WARRANTY

Manufacturer warrants this product to be free from defects in material and workmanship when used under normal conditions for five (5) years. Register your equipment or instrument online at www.vwrsp.com/warranty for US residents or www.vwrcanlab.com/warranty for Canadian residents. For your reference, make a note of the serial number, date of purchase and supplier here.

Serial Number: _____

Date of Purchase: _____

Supplier: _____

INSTALLATION

Upon receiving the VWR Mini Block Heater, check to ensure that no damage has occurred in shipment. It is important that any damage that occurred in transport is detected at the time of unpacking. If you do find such damage the carrier must be notified immediately.

DO NOT lift the unit by the lid or power cord. After unpacking, place the Mini Block Heater on a level bench or table, away from explosive vapors. Ensure that the surface on which the unit is placed will withstand typical heat produced by the unit and place the unit a minimum of 6" (15.2cm) from vertical surfaces. Always place the unit on a sturdy work surface. Position the unit in such a way that it is easy to reach and unplug the power cord from the back of the unit.

The Mini Block Heater is supplied with a power cord that is inserted into the IEC connector on the back of the unit first, then it can be plugged into a properly grounded outlet. The 120V unit plugs into a 120 volt, 50/60 Hz source. The 230V unit plugs into a 230 volt, 50/60 Hz source.

It is necessary to fill the Mini Block Heater well with a modular heating block because an empty block location will affect performance. Place filled tubes in the modular block, then place the modular block into the Mini Block Heater well.

MAINTENANCE & SERVICING

The Mini Block Heater is built for long, trouble-free, dependable service. No lubrication or other technical user maintenance is required. It needs no user maintenance beyond keeping the surfaces clean.

The unit should be given the care normally required for any electrical appliance. Avoid wetting or unnecessary exposure to fumes. Spills should be removed promptly after the unit has cooled down. **DO NOT** use a cleaning agent or solvent which is abrasive or harmful to plastics on the front panel, nor one which is flammable. Always ensure the power is disconnected from the unit and the unit is cool prior to any cleaning. If the unit ever requires service, contact your VWR representative.

INTENDED USE

The VWR Mini Block Heaters are intended for general laboratory use. Safety can not be guaranteed if used outside of the intended use.

ENVIRONMENTAL CONDITIONS

Operating Conditions: Indoor use only.
Temperature: 18 to 33°C (64 to 91°F)
Humidity: 20% to 80% relative humidity, non-condensing
Altitude: 0 to 6,562 ft (2000 M) above sea level

Non-Operating Storage:
Temperature: -20 to 65°C (-4 to 149°F)
Humidity: 20% to 80% relative humidity, non-condensing

Installation Category II and Pollution Degree 2 in accordance with IEC 664.

EQUIPMENT DISPOSAL



This equipment must not be disposed of with unsorted waste. It is your responsibility to correctly dispose of the equipment at life-cycle-end by handing it over to an authorized facility for separate collection and recycling. It is also your responsibility to decontaminate the equipment in case of biological, chemical and/or radiological contamination, so as to protect the persons involved in the disposal and recycling of the equipment from health hazards.

For more information about where you can drop off your waste of equipment, please contact your local dealer from whom you originally purchased this equipment. By doing so, you will help to conserve natural and environmental resources and you will ensure that your equipment is recycled in a manner that protects human health.

SAFETY INSTRUCTIONS

Please read the entire instruction manual before operating the Dry Block Heater.



WARNING! DO NOT use the Mini Block Heater in a hazardous atmosphere or with hazardous materials for which the unit was not designed. Also, the user should be aware that the protection provided by the equipment may be impaired if used with accessories not provided or recommended by the manufacturer, or used in a manner not specified by the manufacturer.

Always operate unit on a level surface for best performance and maximum safety.



CAUTION! To avoid electrical shock, completely cut off power to the unit by disconnecting the power cord from the unit or unplug from the wall outlet. Disconnect unit from the power supply prior to maintenance and servicing.

Spills should be removed promptly, after the unit has cooled down. **DO NOT** immerse the unit for cleaning. **DO NOT** operate the unit if it shows signs of electrical or mechanical damage.

The main supply power cord provided with this product is rated to safely handle the products electrical load under the stated environmental conditions. **DO NOT** replace the cord with an inadequately rated main supply cord.

The Mini Block Heaters are designed to be operated in dry conditions. **DO NOT** put water, oil or other fluids in the wells of the units. The chamber that the modular heating blocks and baths sit in is not designed to be filled with liquid or other fluids. **DO NOT** place anything other than the appropriate heating block(s) in this cavity.



CAUTION! Mini Block Heaters are not explosion proof. Use caution when unit is on or when heating volatile materials.



Earth Ground - Protective Conductor Terminal



Alternating Current

STANDARDS & REGULATIONS

Henry Troemner, LLC hereby declares under its sole responsibility that the construction of this product conforms in accordance with the following standards:

Safety standards:

Safety requirements for electrical equipment for measurement, control and laboratory use:

EN 61010-1

Part I: General requirements

UL 61010-1

CAN/CSA C22.2 No. 61010-1

EN 61010-2-010

CAN/CSA C22.2 No. 61010-2-010

Part II: Particular requirements for laboratory equipment for the heating of materials

EMC standards:

IEC 61326-1 / EN 61326-1

Electromagnetic compatibility (EMC) requirements for electrical equipment for measurement, control and laboratory use

Associated EU guidelines:

2014/30/EU

2014/35/EU

2011/65/EU

The Electromagnetic Compatibility Directive

The Low Voltage Directive

The Restriction of Hazardous Substances Directive

INSTRUCTIONS DE SÉCURITÉ

Veuillez lire le manuel d'utilisation dans sa totalité avant de faire fonctionner le bain à sec chauffant.



ATTENTION ! Ne pas se servir du bain à sec chauffant dans un environnement dangereux ou avec des matières dangereuses pour lesquelles cet appareil n'a pas été conçu. D'autre part, sachez que la protection offerte par l'appareil devient obsolète si l'unité est utilisée avec des accessoires non fournis ou recommandés par le fabricant ou si l'appareil est utilisé de façon non appropriée.

Toujours utiliser l'appareil sur une surface de niveau pour assurer une performance optimale et une sécurité maximale.

AVERTISSEMENT ! Pour éviter tout risque d'électrocution, coupez complètement l'alimentation à l'appareil, débranchez le cordon d'alimentation de l'appareil ou de la prise murale. Débranchez l'alimentation avant toute procédure d'entretien et de dépannage.



Les renversements doivent être rapidement nettoyés une fois que l'appareil s'est refroidi. Ne pas immerger l'appareil pour le nettoyer. Ne pas faire fonctionner l'appareil s'il semble avoir subi des dommages électriques ou mécaniques.

Le cordon d'alimentation principal fourni avec ce produit est calibrée pour supporter en toute sécurité le chargement des produits électriques dans les conditions définies. NE PAS remplacer ce cordon avec un cordon d'alimentation principal mal classé.

Les bains à sec chauffants sont conçus pour fonctionner à sec. Ne pas verser d'eau, d'huile ou d'autres liquides dans les puits des appareils. La chambre dans laquelle sont insérés les blocs chauffants modulaires et les bains ne doit pas être remplie de liquide, quel qu'il soit. Ne pas placer autre chose que les blocs chauffants appropriés dans cette cavité.



AVERTISSEMENT ! Les bains à sec chauffants ne sont pas antidéflagrants. Faites attention quand l'appareil est sous tension ou quand des matières volatiles sont en train de chauffer.



Terre - Borne du conducteur de protection



Courant alternatif

NORMES ET RÉGLEMENTATIONS

Le fabricant déclare par la présente, sous sa seule responsabilité, que la construction de ce produit est conforme aux normes suivantes:

Normes de sécurité:

Prescriptions de sécurité pour les équipements électriques de mesure, de contrôle et de laboratoire:

EN 61010-1

Partie I: Prescriptions générales

UL 61010-1

CAN/CSA C22.2 No. 61010-1

EN 61010-2-010

Partie II: Prescriptions particulières relatives

CAN/CSA C22.2 No. 61010-2-010

au matériel de laboratoire destiné au chauffage de matières

Normes EMC:

IEC 61326-1 / EN 61326-1

Compatibilité électromagnétique (EMC) pour appareils électriques de mesure, de contrôle et de laboratoire

Directives UE connexes:

2014/30/EU

La Directive sur la Compatibilité Électromagnétique

2014/35/EU

La Directive Basse Tension

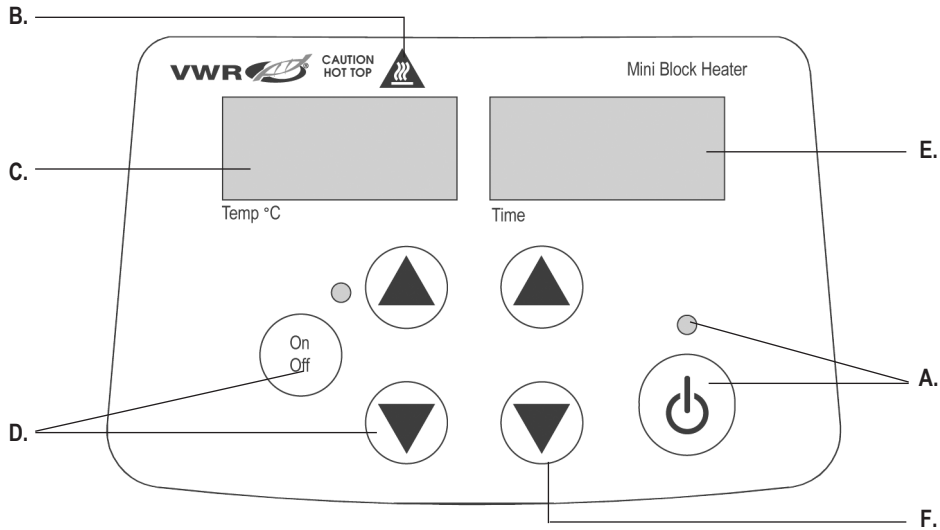
2011/65/EU

La Restriction de la Directive Substances Dangereux

ADVANCED MINI BLOCK HEATER & MINI BLOCK HEATER WITH HEATED LID SPECIFICATIONS



Overall dimensions (L x W x H):	6.3 x 5 x 4.85" (16 x 12.7 x 12.3cm)
Electrical (50/60 Hz):	Non Heated Lid: 120 volts: 0.440 amps, 49 watts 230 volts: 0.250 amps, 48 watts Heated Lid: 120 volts: 0.670 amps, 76 watts 230 volts: 0.340 amps, 73 watts
Fuses:	5mm x 20mm, 5 amp 250 volts quick acting
Temperature range:	ambient +5°C to 100°C
Accuracy:	Mini Block Heater: +/- 0.5°C Mini Block Heater with Heated Lid: +/- 0.3°C
Uniformity:	+/- 0.2°C
Heat-up time to 37°C:	2 minutes
Controls:	Standby Button Time Up/Down Arrows Temperature On/Off Button Temperature up/Down Arrows
Ship weight:	3.5lbs (1.6kg)



ADVANCED MINI BLOCK HEATER CONTROL PANEL

The front panel of the Mini Block Heater contains all the controls and displays needed to operate the unit.

- A. Standby button/standby indicator light:** The standby indicator light will illuminate when the unit is plugged in. The unit will be in standby mode. Press the standby button to illuminate the displays. The standby indicator light will shut off. Press the standby button again and the unit will once again be in standby mode.
- B. Caution hot top symbol:** Printed on control panel. Unit can reach temperatures above 40°C.

- C. Temperature display:** Displays the actual temperature and will beep when the set-point temperature is reached. **D.** Up/down arrows for set-point control. On/off button starts/stops the heating function.
- E. Time display:** Displays accumulated time (continuous mode) or remaining time (timed mode). The display range is from 0 to 9,999 minutes in one (1) second increments. The display will indicate minutes and seconds until the timer reaches 99 minutes and 59 seconds (99:59), then the display will automatically display minutes up to 9,999. **F.** Up/down arrows for set-point control.

OPERATING INSTRUCTIONS

Designed for applications that require repeatable results and superior temperature stability. These multi-purpose units are ideal for incubation and activation of cultures, enzyme reactions, immunoassays, melting/boiling points, and a wide variety of other laboratory procedures.

For best performance, the Mini Block Heater should be used in a stable environment. The unit's environment should have no air currents, drafts or temperature changes and it should not be placed in direct sunlight. The unit requires a stable electrical supply that is free of voltage fluctuations. An unstable environment will adversely affect the performance of the unit. For example, even minor air drafts or temperature changes will adversely affect the unit's ability to maintain a stable temperature.

1. Getting ready:

- a. Press the standby button to change the unit from standby mode. The temperature display, time display will illuminate.



2. Setting temperature:

- a. Press the up/down arrows under the temperature display until you reach the desired temperature. Holding down either the up or down arrow will cause the set temperature to change rapidly, a single pressing of either key will move the set temperature by 0.1°C. When you release the button, the display will blink off and then on, indicating the new set temperature has been accepted. Once the set-point has been programmed and the keys are not being pressed, press the on/off button under the temperature display to activate the heating and time function. A green indicator light will illuminate next to the on/off button indicating the heating function is on. The temperature display will show the actual temperature. There are three (3) audible beeps to indicate the set-point temperature has been reached.
- b. Set-point temperature adjustments can be made without interrupting heating using the up/down arrows under the temperature display. After the change has been made and you release the button, the display will blink off and then on indicating the new set temperature has been accepted.

- c. To stop heating, press the on/off button under the temperature display.
- d. Allow time for the temperature to stabilize. The actual temperature displayed is the temperature at the bottom of the modular block. Once the displayed actual temperature agrees with the set temperature, several minutes should be allowed for the temperature to stabilize throughout the block evenly.

Overshoot protection: If the unit exceeds 130°C, the unit will automatically stop heating.

3. Setting timed mode: Programmed time.

- a. Press the up/down arrows under the time display until you reach the desired time.
- b. Time starts when the temperature is turned on. If a time is set the unit will run for the selected time. When using the timer in conjunction with the heating function, when the time display reaches zero (0:00), when using a programmed time, four (4) audible beeps will indicate the time down function is complete. Both the time and heating functions will shut off automatically and the time display will default back to the set time. To repeat for the same time, simply depress the temperature on/off button again.
- c. Time cannot be interrupted without turning off the heater. To interrupt the time, press the heater on/off button.

4. Setting time to zero (0:00) and continuous mode: Accumulated time.

- a. Use the up/down arrows or press and hold both arrows to reach zero (0:00).
- b. Pressing the heat on/off button will begin the time counting up. The up/down arrows will become inactive while the heater is running. To stop timer, press on/off button again..

5. Turning unit off:

- a. To turn the unit off, press the standby button, the temperature and time displays will be blank, the standby indicator light will turn on. To fully power down, unplug unit.

CALIBRATION PROCEDURE

This procedure is used to fine tune and calibrate the block temperature at a specific temperature setting. This process may be repeated for up to three (3) separate set-points. If a fourth calibration set-point is entered, the first set-point entered will be overwritten.

1. Turn unit on.
2. Set desired temperature.
3. Stabilize twenty (20) minutes or more, measuring the block temperature with a calibrated precision instrument or thermometer.
4. Press and hold standby button, then press the temperature up button once. The unit will beep two (2) times, confirming calibration mode. The display will now be flashing.
5. Press the temperature up/down arrows until the display matches the temperature probe/thermometer.
6. Press standby button to exit calibration mode and return to normal heating.

This process may be repeated at the same set-point multiple times for fine tuning if desired.

The unit will now use the biased offset for that specific temperature setting and increase or decrease temperature accordingly to bring the block temperature to set temperature. The decimal point of the display will flash to indicate a biased offset is being used. All other temperature settings will use the standard internal calibration. This offset will be stored in memory and retained until reset.

To restore unit to factory setting:

Press and hold standby button while pressing the temperature down button once. The reset will be confirmed with two (2) beeps. Press the standby button to exit calibration mode and return to normal heating.

TEMPERATURE TESTING

1. To ensure good thermal conductivity, select the proper Modular Heating Block for your application. Select the proper tubes which are the proper size for the Modular Heating Block. Close contact, with no air gaps, must be maintained between the walls of the Modular Heating Block well and the sides of the tubes.
2. Fill the tubes so that the fluid level does not rise above the top surface of the Modular Heating Block.
3. Select a temperature measuring device that is designed for immersion in liquids. Place your calibrated temperature measuring device in one of the samples so it reaches the bottom of the tube. Once the temperature measuring device is placed in the fluid sample, ensure the fluid level is still below the top surface of the Mini Modular Heating Block.
4. Set the desired temperature on the unit, allow the unit to reach this temperature, and let the unit stabilize for an additional twenty (20) minutes or more before taking any temperature readings.
5. If the measured temperature on your temperature measuring device does not match the actual temperature on the display of the unit, then the single point calibration procedure can be used. By doing this, the unit will now be more accurate at that set-point for your specific application.

STABILITY TESTING

1. The manufacturer has performed temperature stability tests on Mini Block Heaters. The manufacturer used calibrated temperature measuring device for the stability tests. Units were set-up with the Mini Modular Heating Blocks so the heater plates were not exposed to the environment.
 - a. Set up the unit in a stable environment.
 - b. Set up the unit with the Mini Modular Heating Block and then place the proper fitting tubes into the block. Fill the tubes with liquid, where the liquid level is lower than the top surface of the Mini Modular Heating Block. Use a calibrated temperature measuring device that is designed for immersion in liquids, and place the temperature probe in the bottom of one of the tubes or vials in the block. Set the temperature of the unit. Allow the unit to reach temperature and stabilize for twenty (20) minutes or more and then take temperature readings for stability. Please note the characteristics of the liquid used for the test and the fit of the tube in the Mini Modular Heating Block can affect the results of a stability test for the Mini Dry Block Heaters. Tubes must be the proper size for the Modular Heating Block so there is a secure fit with no air gaps to ensure good thermal contact.

UNIFORMITY TESTING

1. The manufacturer has performed uniformity tests on Dry Block Heaters to ensure even heating across the entire heater plate. The manufacturer placed tubes into all the wells in the block and used (4) thermocouples in these tubes to measure uniformity. Five independent calibrated temperature measuring devices were used during the test. The 5th probe was used to measure ambient temperature. Temperature was set and the units were allowed to heat up and stabilize for twenty (20) minutes or more. Readings were then taken at regular intervals to monitor the temperature uniformity for four hours. These tests were repeated after rotating the temperature measuring devices to different thermometer well positions to confirm the temperature uniformity of the units.

2. The recommended procedure for testing the unit's temperature uniformity is as follows:
 - a. Set-up the unit in a stable environment.
 - b. Set-up the unit with the Mini Modular Heating Block to cover the entire heating plate. Then set up the block with the proper fitting tubes. Place liquid samples in tubes or vials where the liquid level is lower than the height of the top surface of the Modular Heating Block.
 - c. Select multiple calibrated temperature measuring devices that are designed for immersion in liquids. Use these temperature measuring devices at the same time across various positions in the Mini Modular Heating Block. Place the temperature probes in the bottom of several of the filled tubes. Ensure the liquid levels in the tubes or vials with the temperature probes does not rise above the height of the top surface of the Mini Modular Heating Block.
 - d. Set the temperature of the unit. Allow the unit to reach temperature and stabilize for twenty (20) minutes or more and then take temperature readings from all the temperature devices to test for temperature uniformity.
 - e. Please note the characteristics of the liquid used for the test and the fit of the tube or vial in the Mini Modular Heating Block can affect the results of the uniformity test for the Mini Block Heaters. Tubes must be the proper size for the Mini Modular Heating Block so there is a secure fit with no air gaps to ensure good thermal contact. Enable/Disable Function Settings

FUNCTION MODE

To enter the Function Modes, perform the following steps:

1. Place unit in standby mode.
2. Press and hold the time down button
3. While pressing and holding the time down button, press and release the standby button

The temp up/down arrows allow you to toggle between functions. The time up/down arrows allow you to turn the function off or on. Press the standby button at any time exit the Function Mode and save the current settings.

BEEP DISABLE (this function will disable the beep, except one caused by an error).

Temp display will show "bEEP" and time display will show current setting "on" or "off".

- a. Press the time up or down button to toggle beeper on/off.
- b. Press the temp up button to select the next option time down button to select the previous option.

POWER FAILURE AUTO-RECOVERY DISABLE (this function when enabled, will allow the unit to resume heating in the event of a power failure.) **NOTE:** the previous setting will resume to the nearest 10 minutes and not where it left off at the time of the power interruption.

Temp display will show "PF" and time display will show current setting "on" or "off".

- a. Press the time up or down button to toggle Power Fail option on/off. On means the unit will automatically recover from a power failure, Off means the unit will go into standby in the event of a power failure.
- b. Press the temp up button to select the next option or temp down button to select the previous option.

OPERATING TIPS

MINI MODULAR HEATING BLOCKS AND SAMPLES

Only VWR Mini Modular Heating Blocks are to be used in the Mini Block Heaters.

1. Select the proper blocks that will be a precise fit for the tubes that you will be using for your application.
2. Only plastic or glass tubes are to be used in the Modular Heating Blocks. Metal vessels will adversely affect the temperature performance of the unit. Metal vessels will dissipate too much heat into the air, thus adversely affecting the temperature readings of the unit.
3. To ensure proper heating, the tubes that are used must be the correct size for the Modular Heating Block. The tubes must fit securely in the hole with no air gaps and maintain as much contact as possible with the wall of the block. This will ensure good thermal contact between the Modular Heating Block and the tube you are using for your application.
4. For proper heating, the fluid level within your tube should not exceed the height of the Modular Heating Block.
5. When using a temperature measuring device in a sample, the end of the probe should be placed at the bottom of the sample and the height of the liquid should not exceed the height of the Modular Heating Block. Ensure that your temperature measuring device is designed for immersion in liquids.
6. Contact your VWR representative for information on ordering Modular Heating Blocks.

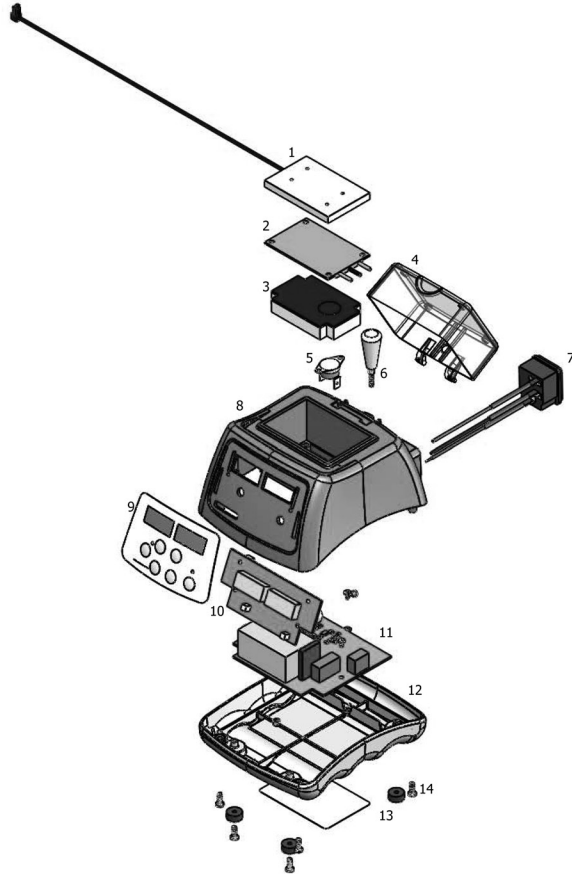
TROUBLESHOOTING

To clear error press the standby button

Problem	Cause	Solution
Unit fails to power on	Missing or blown fuse	Add or replace fuse as necessary. If problem persists, please contact your VWR representative for repair.
E1	Faulty temperature sensor	This error cannot be fixed by the end user. Please contact your VWR representative for repair.
E2	Thermocouple failure or Heating element failure	This error cannot be fixed by the end user. Please contact your VWR representative for repair.
E3	Unit cannot reach set-point or Probe not in thermometer well	If using probe, verify probe is in thermo well and follow Single Point Calibration instructions on page 10. If problem persists, please contact your VWR representative for repair.

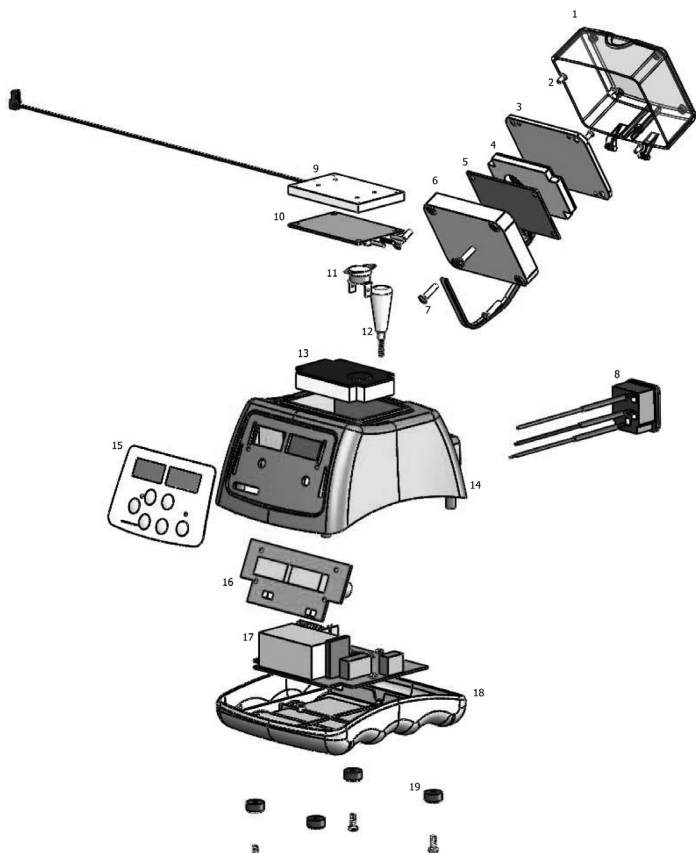
Errors will cause heating function to cease. Timing functions will be unaffected.

MINI BLOCK HEATER REPLACEMENT PARTS



DESCRIPTION	PART NUMBER
1. RTD - Heater plate assembly	349255-00
2. Main heater	349263-00
3. Heater insulation	249020-00
4. Clear lid	249652-00
5. Disk thermostat	380235-00
6. Tool handle	849600-00
7. Power entry module	386122-00
8. Top housing	249651-00
9. Membrane switch	349170-00
10. Display PCB	349261-00
11. Main PCB	349260-00
12. Bottom housing	249650-00
13. Rubber foot	530052-00
14. Plastite fastener	149020-00

MINI BLOCK HEATER WITH HEATED LID REPLACEMENT PARTS



DESCRIPTION	PART NUMBER
1. Clear lid	249652-00
2. Screws (for lid heater top plate)	130283-00
3. Lid heater top plate	249654-00
4. Heater insulation	249020-00
5. Lid heater	349264-00
6. Lid heater bottom plate	249655-00
7. Screw (to fasten lid heater to lid)	287109-00
8. IEC power entry module	386122-00
9. RTD/Heater plate assembly	349255-00
10. Heater, 120V	349263-00
11. Disk thermostat	380235-00
12. Block removal tool	849600-00
13. Heater insulation	249020-00
14. Top housing	249651-00
15. Membrane switch	349170-00
16. Display PCB	349261-00
17. Main PCB	349260-00
18. Bottom housing	249650-00
19. Rubber foot	530052-00

DECLARATION OF CONFORMITY

We: Troemner LLC
 201 Wolf Drive
 Thorofare, NJ 08086
 USA

Declare under our sole responsibility that the product(s)

Model/Type:

Mini Block Heater – Non-Heated Lid (949VWMNLEU, 949TAMNLEU)
 Mini Block Heater – Heated Lid (949VWMHLEU, 949TAMHLEU)
 Mini Block Heater W/Cert – Non-Heated Lid (949VWMNLEUC, 949TAMNLEUC)
 Mini Block Heater W/Cert – Heated Lid (949VWMHLEUC, 949TAMHLEUC)

To which this declaration relates are in conformity with the following standard(s) or other normative documents(s):

2014/30/EU The Electromagnetic Compatibility Directive
 2014/35/EU The Low Voltage Directive
 2011/65/EU The Restriction of Hazardous Substance Directive

Council directive on the harmonization of the laws of the Member states: relating to safety requirements for electrical equipment for measurement, control, and laboratory use – Part 1: general requirements	Standards:
relating to safety requirements for electrical equipment for measurement, control, and laboratory use – Part 2: particular requirements for laboratory equipment for mixing and stirring	EN 61010-1: 2010-10
Electromagnetic compatibility (EMC) requirements for electrical equipment for measurement, control and laboratory use	EN 61010-2-010: 2014-11
	EN 61326-1: 2006

Date of original issue: November 17, 2014

Authorized by: Wilbert D. Abele

Revised Date: July 7, 2016

Signature: *Wilbert D. Abele*
 According to EN 17050:2004

MANUFACTURED BY:

TROEMNER LLC

201 Wolf Drive Thorofare, NJ 08086-0087
Phone: 856-686-1600 • Fax: 856-686-1601 • E-mail: troemner@troemner.com
www.troemner.com

549500-00 (REV 2 - 07/16)