

WARD'STM

Hand Microtome Operating Instructions

14 W 2000

Safety: When melting wax and sectioning tissue, students should be supervised by a knowledgeable, trained instructor. Students should wear protective gloves of heavyweight cotton Kelnit, safety goggles, and aprons or smocks when handling melted wax.

1. Melt the paraffin granules in a waterbath of approximately 52°C (126°F).
Caution: Do not overheat! Overheated wax will produce smoke and will catch fire.
2. Prepare a section of material to be cut, approximately 1" long and 1/4" diameter.
3. Place the section in the microtome so that a small portion protrudes from the top.
4. Carefully pour the melted wax onto the specimen, filling the space around the section with melted wax (see Figure 1). **Caution:** Avoid contact with skin; melted wax can cause second- and third-degree burns.
5. Let wax cool; do not move specimen while wax solidifies.
6. Using the enclosed safety razor, shave the protruding section until it is flush with the top of the microtome (see Figure 2). **Safety:** Always move the razor blade away from you.
7. Twist the threaded bolt slightly so the section rises to just above the top of the microtome.
8. Shave as thin a specimen as possible from the section.
Note: To obtain a suitable specimen, you may need to practice this technique a number of times.
9. Using a pipet, apply a drop of water to the center of a clean microscope slide. Using fine-tip forceps, place the thin section on top of the water; the water will help flatten the thin section.



WARD'S Natural Science
5100 West Henrietta Road
P.O. Box 92912
Rochester, New York 14692-9012
Fax: **1-800-635-8439**
Phone: **1-800-962-2660**
Website: **www.wardsci.com**
E-mail: **customer_service@wardsci.com**

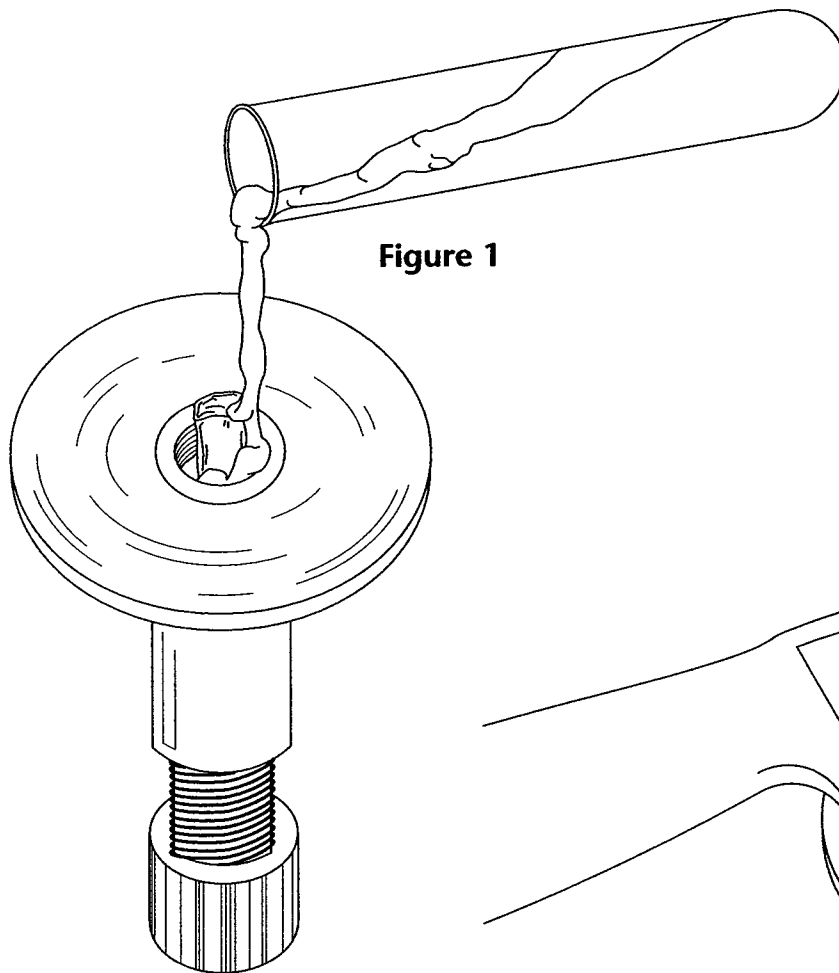


Figure 1

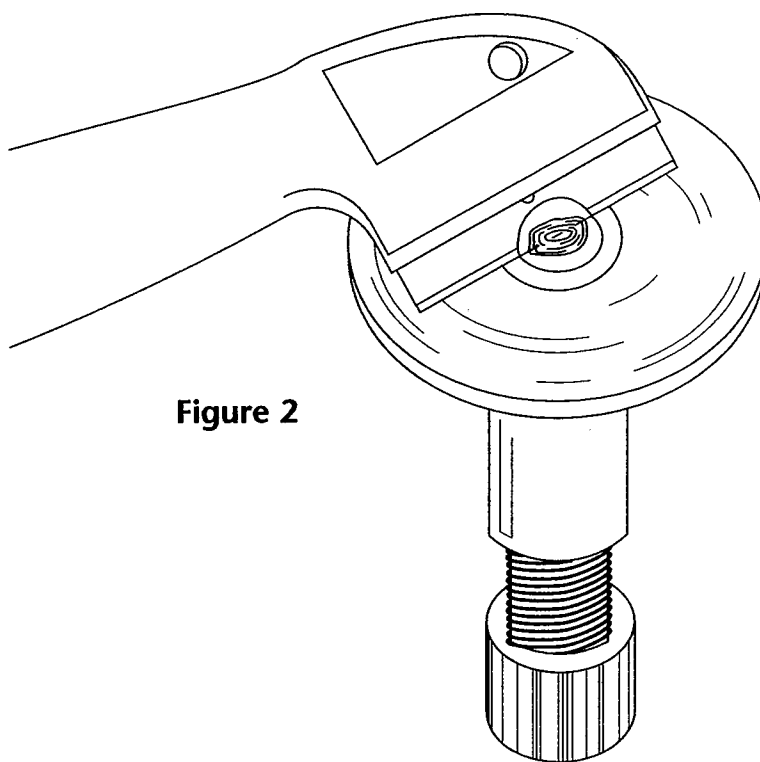


Figure 2

WARD'S™

WARD'S Natural Science
812 Fiero Lane
P.O. Box 5010
San Luis Obispo, California 93403-5010

Fax: 805-781-2704
Phone: 805-781-2700
Toll-Free: 1-800-872-7289

WARD'S Natural Science Ltd.
397 Vansickle Road
St. Catharines, Ontario L2S 3T5

Fax: 905-984-5952
Phone: 905-984-8900
Toll-Free: 1-800-387-7822