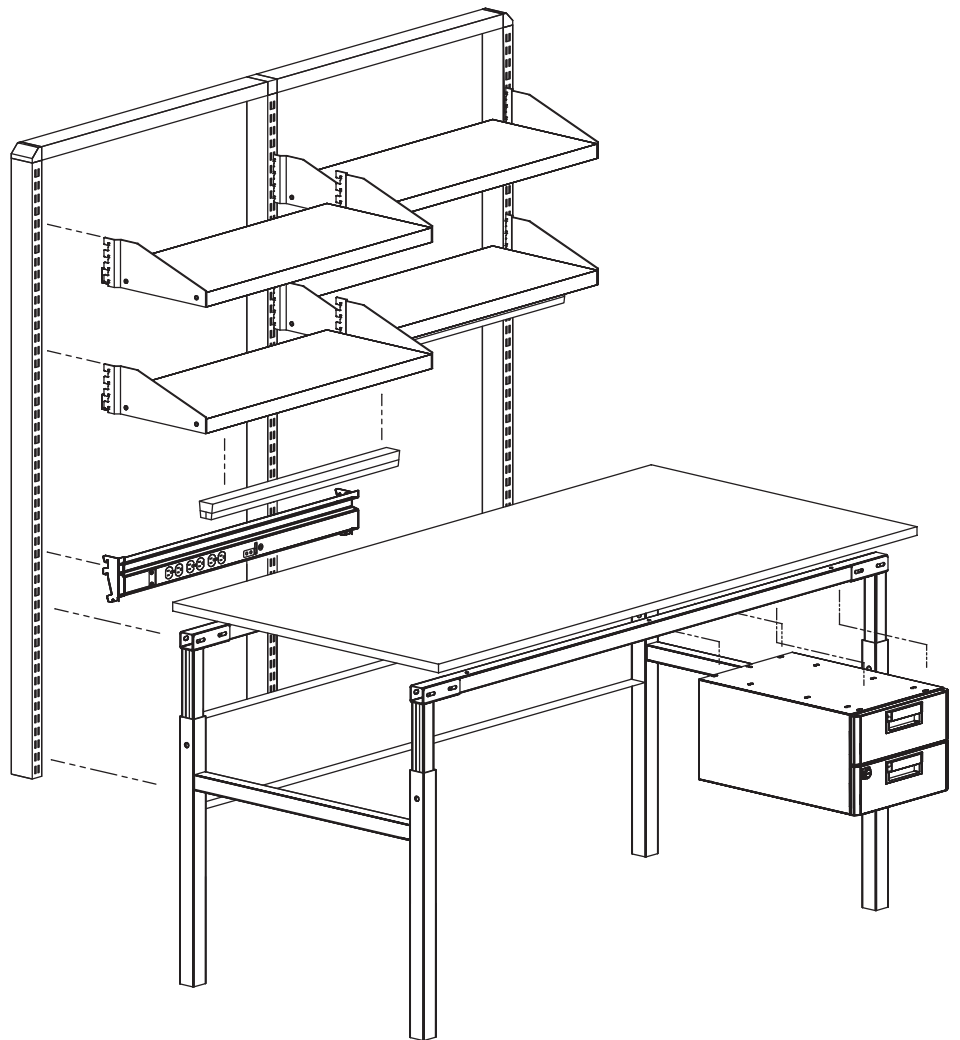


VWR® LABORATORY BENCHES

ASSEMBLY INSTRUCTIONS
FOR VWR PRIVATE LABEL
LABORATORY BENCHES
AND ACCESSORIES



Tools Required for Installation

Standard tools needed for most installations:

- Adjustable wrench 6"
- 10mm combination wrench
- 13mm combination wrench
- 19mm combination wrench
- 13mm socket and ratchet
- Flat screw driver
- #2 Phillips screw driver
- #3 Phillips Screw driver
- Standard pliers
- 4mm hex wrench
- 5mm hex wrench
- 6mm hex wrench
- 8mm hex wrench
- Dead Blow Mallet
- Ball peen hammer
- Band cutters (tin snips)
- Razor Knife
- 16' tape measure

Advanced tool list (not required but may be needed on some occasions):

- 8mm Tap
- 6mm Tap
- Tap wrench
- Battery drill
- Drill bits set
- Allen key set
- Side cutters
- Needle nose pliers
- Channel lock pliers
- Vise Grip pliers
- Hack Saw
- Metric Socket set
- Mill Bastard File 12" fine



VWR® Installer Tool/Hardware Kit!

Installer kit contains standard tools and hardware necessary for installing all VWR® Private Label Laboratory benches and accessories from Sovella. The first kit for each installer is **free**; additional kits can be purchased using Sovella order no. **14-99900904**. Contact a Sovella representative for more information.

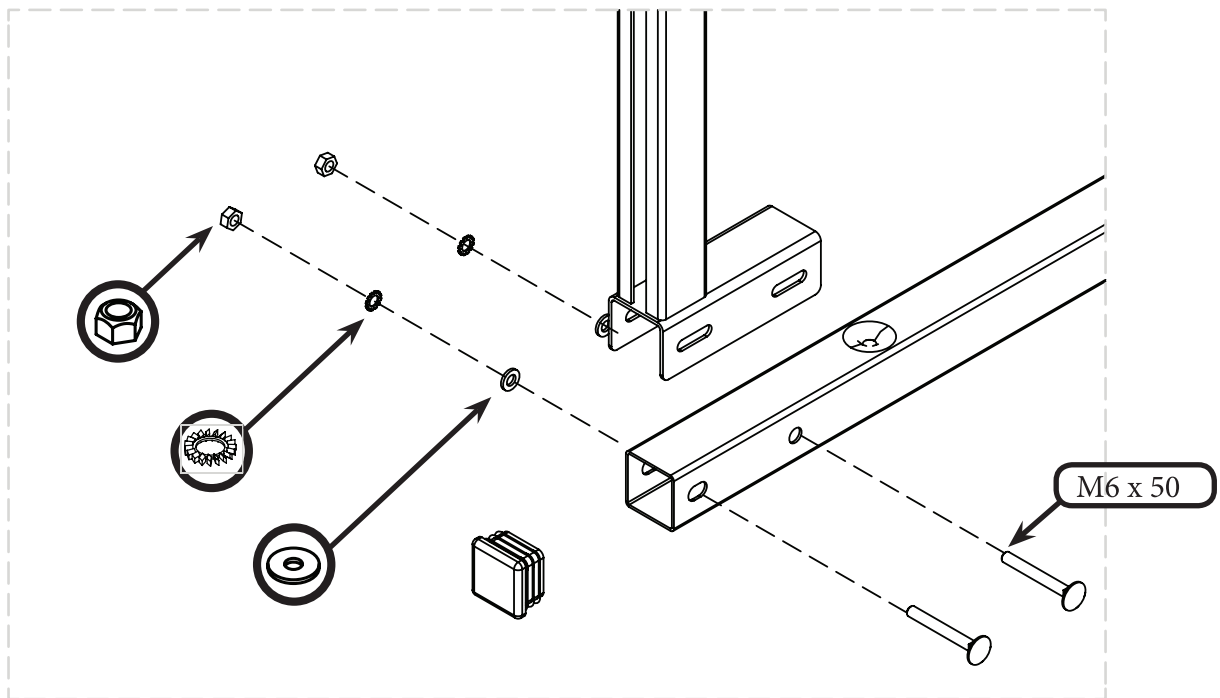
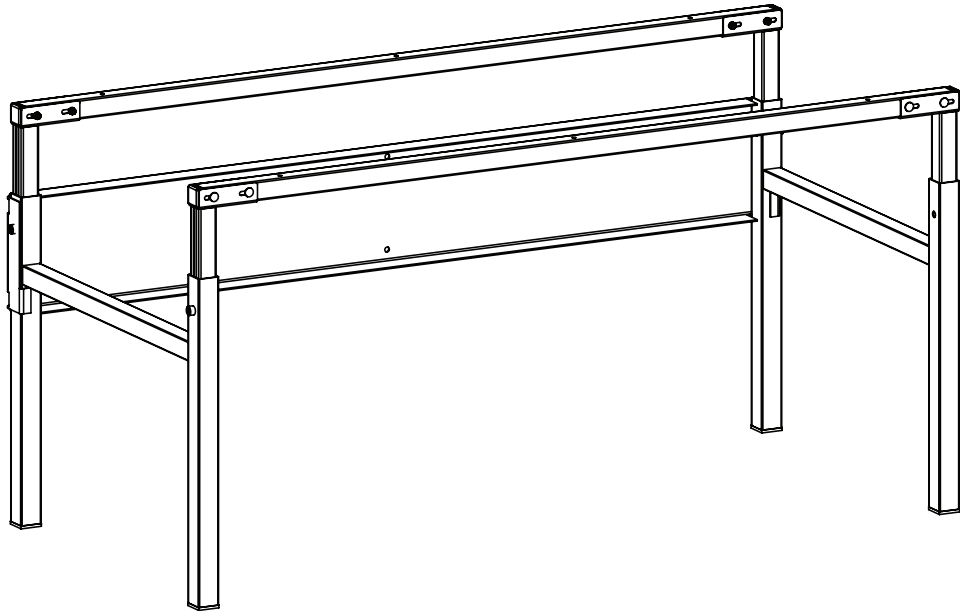


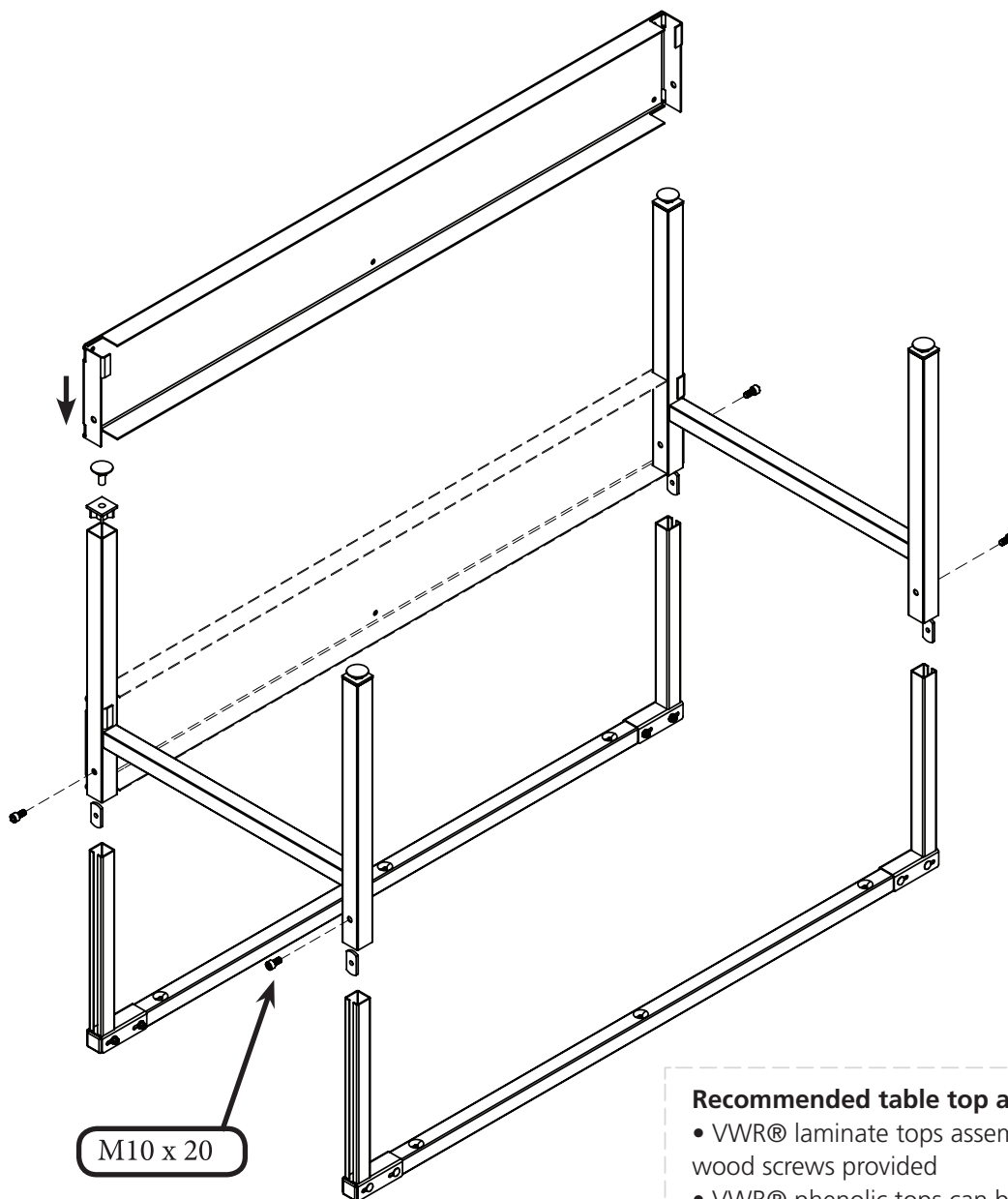
Table of Contents

ASSEMBLY INSTRUCTIONS:

4-LEG BENCH	4
C-LEG MANUAL	6
C-LEG CRANK	8
C-LEG MOTOR	11
DRAWER MOUNTING	
4-LEG	14
C-LEG	18
UPRIGHTS	22
ACCESSORY BAR	24
CPU HOLDERS	24
KEYBOARD TRAYS	26
LCD ARM	27
FOOTRESTS	30
HARDWARE	32

4-Leg Bench Instructions

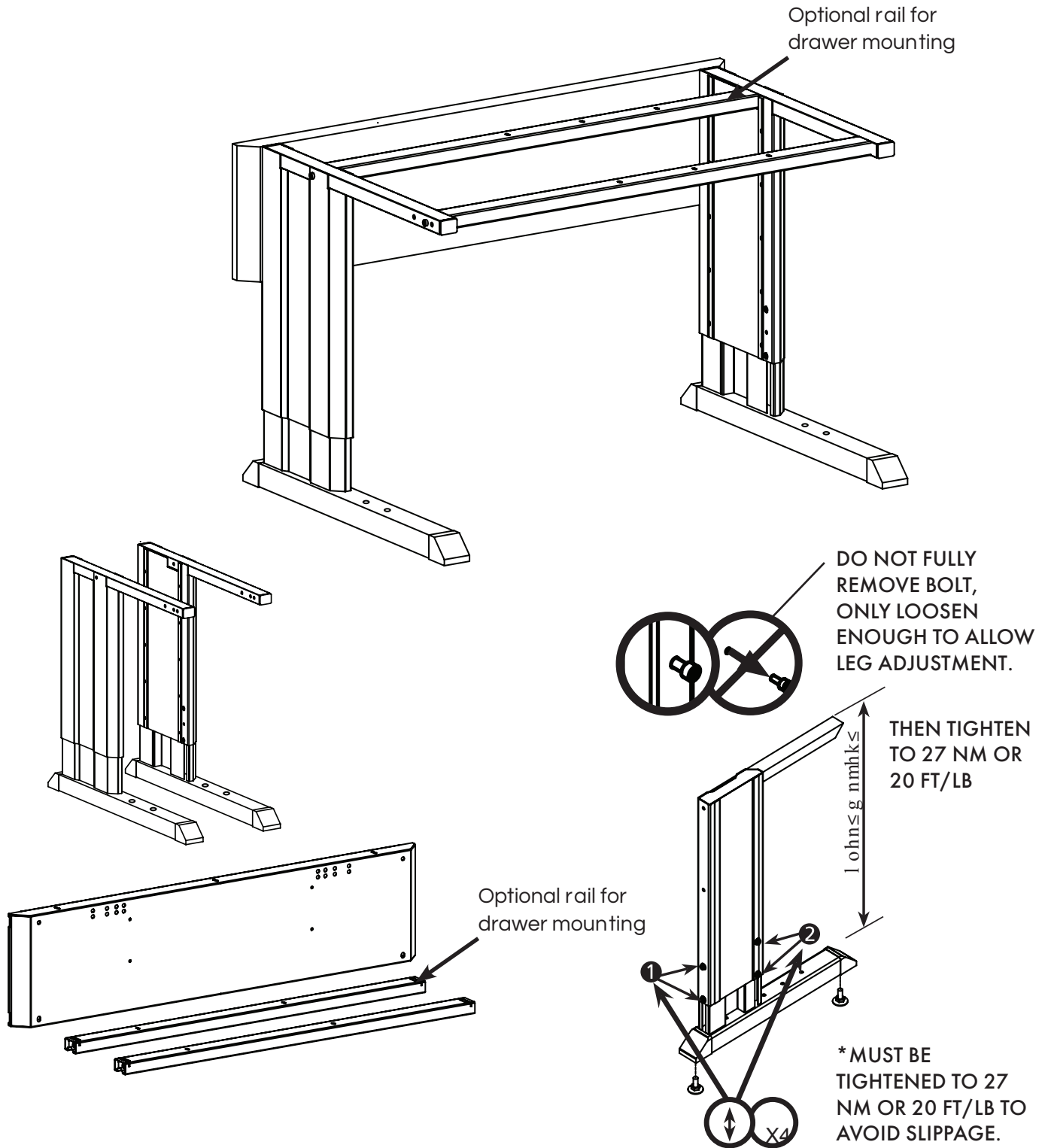


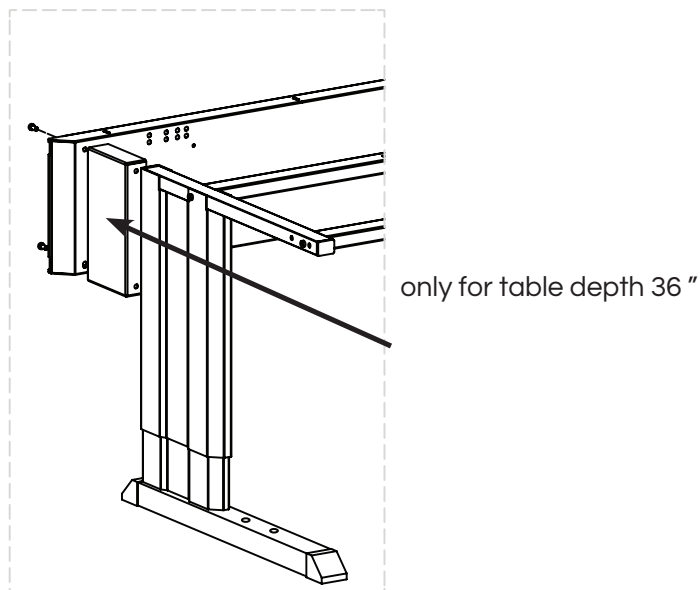
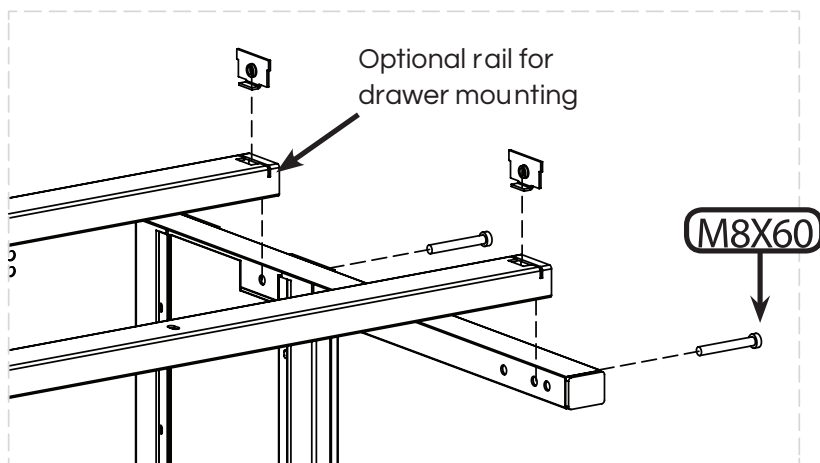
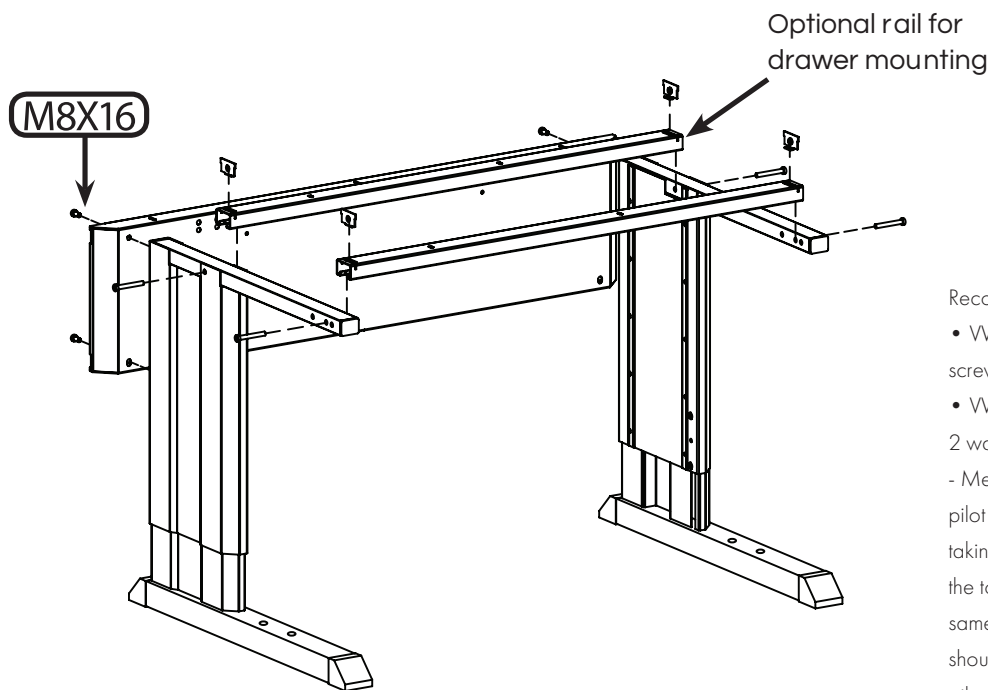


Recommended table top assembly:

- VWR® laminate tops assembled with wood screws provided
- VWR® phenolic tops can be assembled in 2 ways:
 - Mechanical fasteners (screws) - Pre-drill a pilot hole in the bottom of the work surface, taking care to keep from penetrating through the top. The pre-drilled hole should be the same length as the screw shaft. The screw should be slightly larger in diameter than the pilot hole. Use a coarse threaded screw, wood or machine.
 - Adhesive - Use 100% silicon. Apply several "spots" or a continuous bead to the top of the table frame. Position the work surface as centered on the frame and let cure for 12 hrs at room temp.

C-Leg Bench Instructions - Manual Height Adjustment

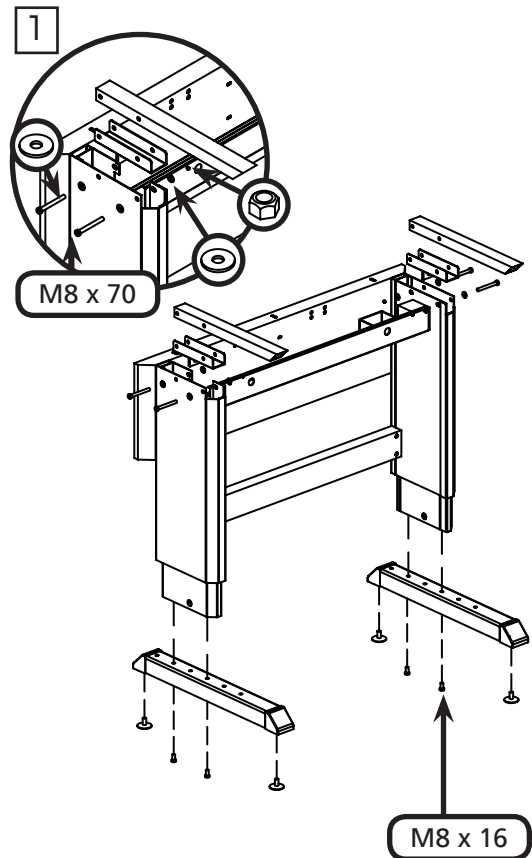
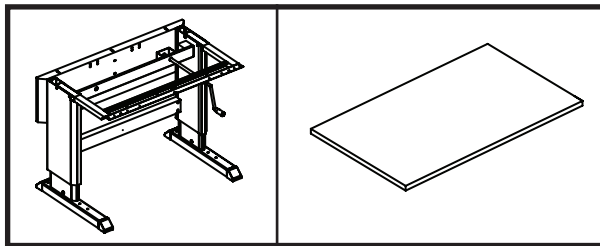
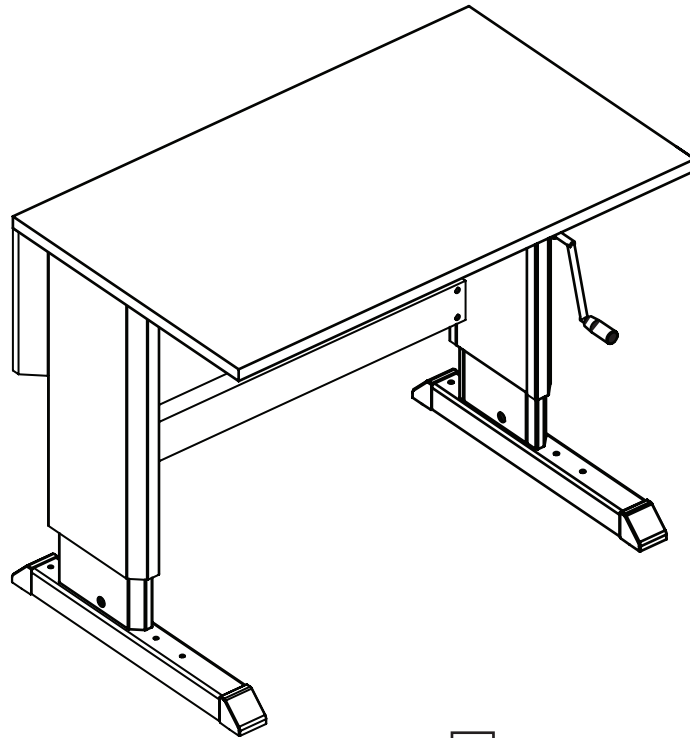




Recommended table top assembly :

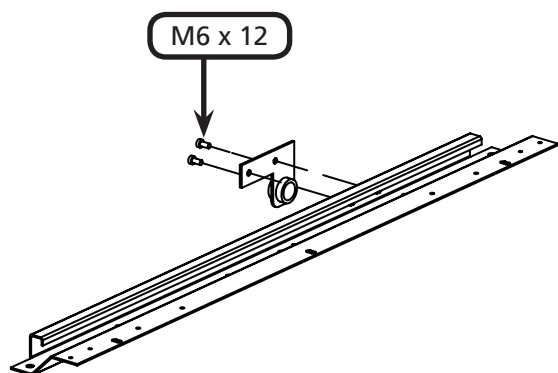
- VWR® laminate tops assembled with wood screws provide d
- VWR® phenolic tops can be assembled in 2 ways:
 - Mechanical fasteners (screws) - Pre-drill a pilot hole in the bottom of the work surface, taking care to keep from penetrating through the top. The pre-drilled hole should be the same length as the screw shaft. The screw should be slightly larger in diameter than the pilot hole. Use a coarse threaded screw, wood or machine.
 - Adhesive - Use 100% silicon. Apply several "spots" or a continuous bead to the top of the table frame. Position the work surface as centered on the frame and let cure for 12 hrs at room temp.

C-Leg Bench Instructions - Handcrank Height Adjustment

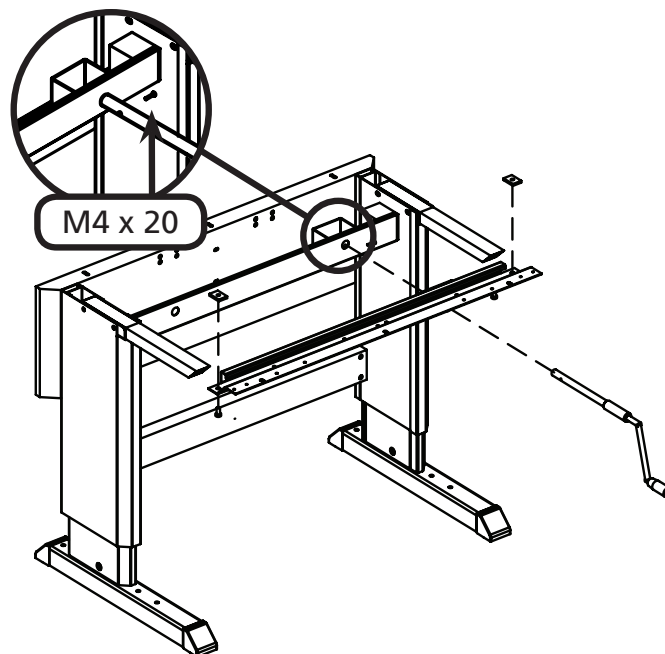




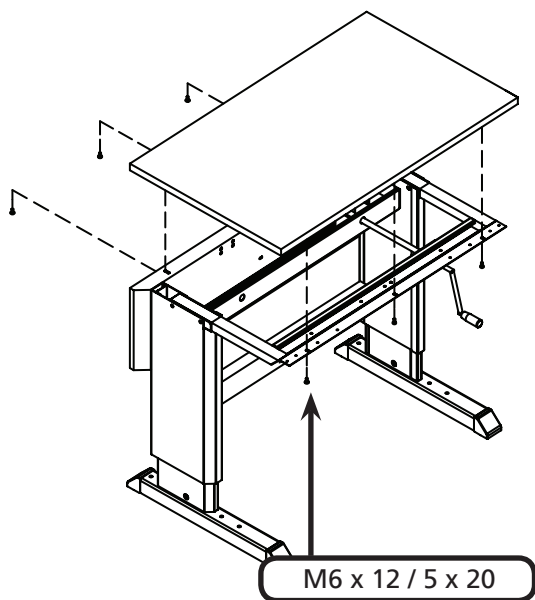
2



3



4



Recommended table top assembly :

- VWR® laminate tops assembled with wood screws provide d
- VWR® phenolic tops can be assembled in 2 ways:
 - Mechanical fasteners (screws) - Pre-drill a pilot hole in the bottom of the work surface, taking care to keep from penetrating through the top. The pre-drilled hole should be the same length as the screw shaft. The screw should be slightly larger in diameter than the pilot hole. Use a coarse threaded screw, wood or machine.
 - Adhesive - Use 100% silicon. Apply several "spots" or a continuous bead to the top of the table frame. Position the work surface as centered on the frame and let cure for 12 hrs at room temp.

C-Leg Bench Instructions - Handcrank Height Adjustment

OPERATION CONDITIONS

The table can be used in dry indoor conditions only. It must not be exposed to moisture, corrosives, dust etc. (IP20)

ASSEMBLY

Assemble the table according to the assembly instructions. Any unevenness of the floor can be corrected by turning the adjustment screws in the aluminium table feet.

OPERATION

The permitted loads are shown on the table frame. The table top should be evenly loaded.

MAINTENANCE

The principal parts of the adjustable table need no maintenance. After prolonged driving add some lubrication to components being rubbed or rolled. All screws under tension should be checked occasionally for tightness.

PARTS REQUIRING LUBRICATION

First loosen the plastic covers on the sides of the feet and the table top.

Lifting screws:

Drive the frame to the height of appr. **27.6"** and this will expose through the lower holes at the ends of the stand a CM6 lubrication nipple (DIN 71412). Inject some grease, e.g. Mobilnac 81. Drive the frame up and down so that the whole thread is lubricated. If the frame is driven continually with heavy loads, lubrication should be carried out ideally once a month at the very least once a year.

Bronze slide bearings:

Through the upper holes the bearings can be seen. Lubricate the bearings with a few drops of e.g. Mobil Vactra 4 oil. The other bearings can be lubricated from above after loosening the steel cover. Lubricate once a year.

Loading:

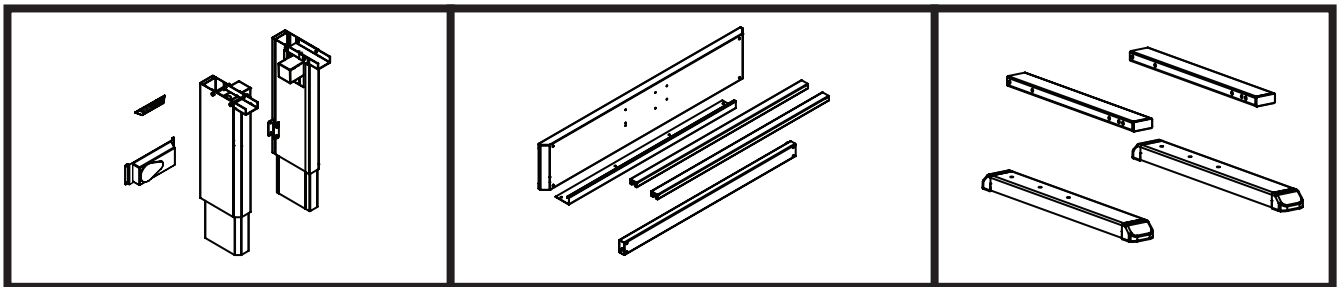
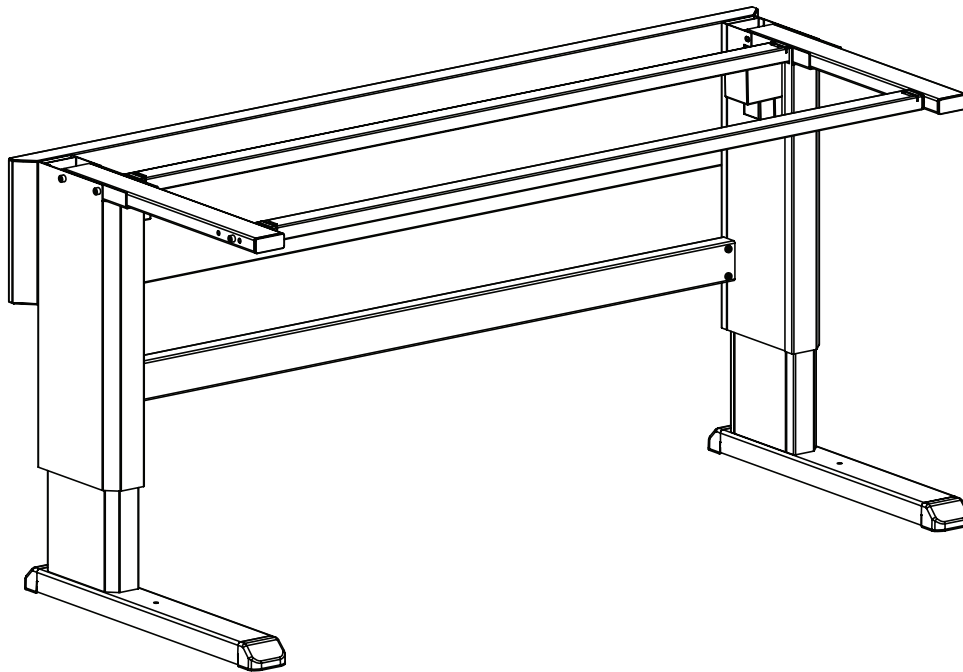
Loading capacity **440 lbs** with evenly loaded.

If the table must be adjusted several times, we recommend lighter loads.

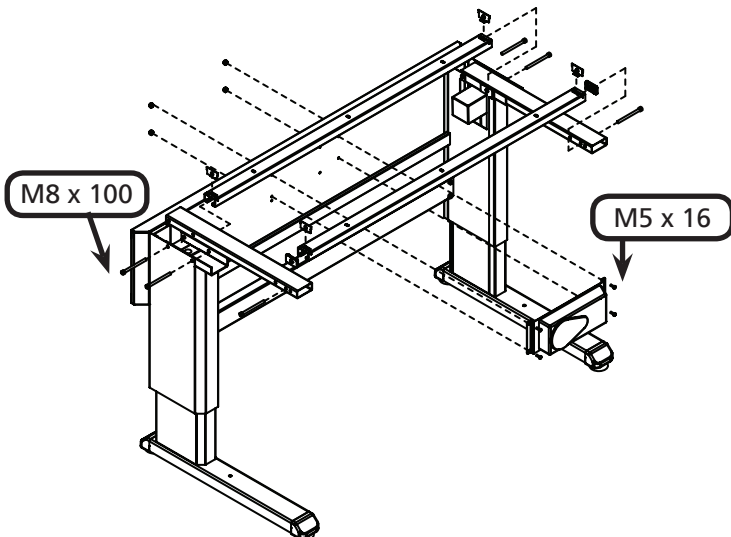
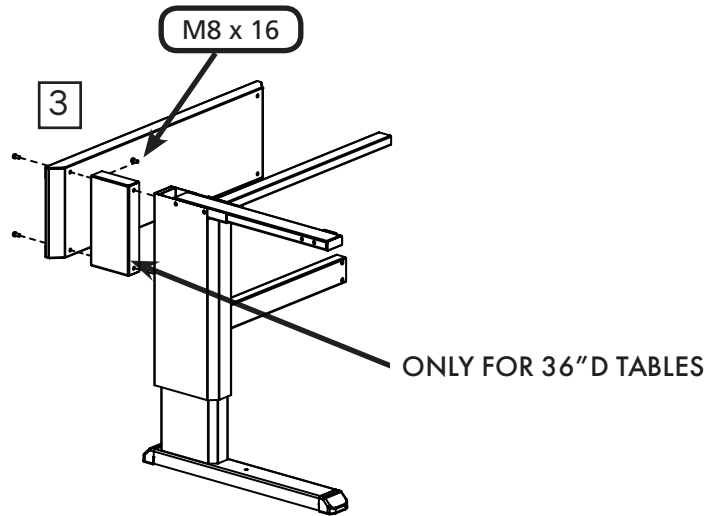
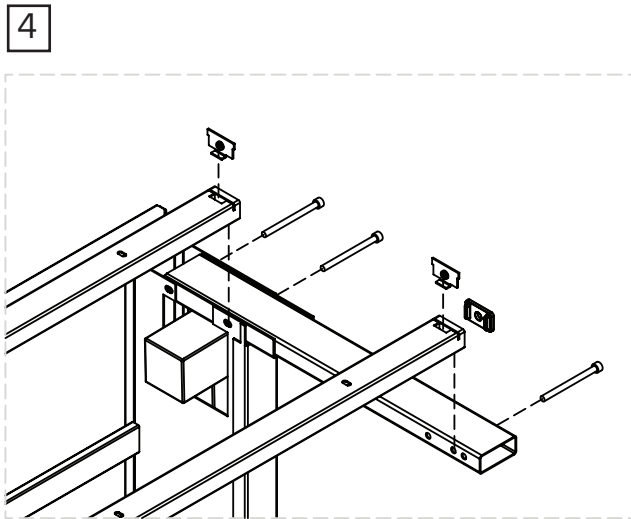
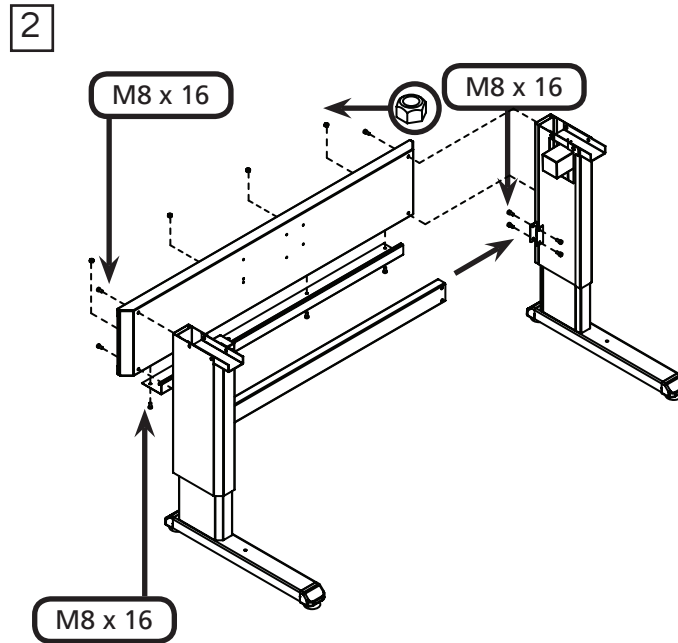
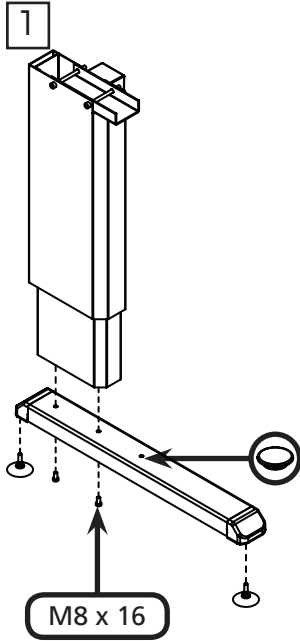
Dust the top of the product regularly with a duster or damp cloth. Always use the recommended cleaning equipment and materials in ESD areas. Since dirt on ESD products can reduce their ESD capabilities, remove dirt from the wheels regularly.



C-Leg Bench Instructions - Motorized Height Adjustment



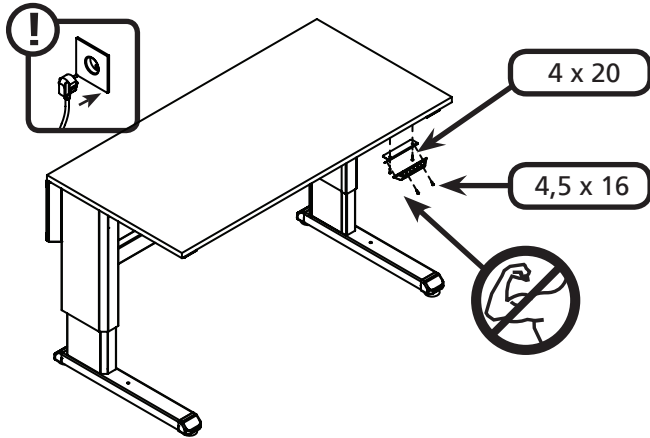
C-Leg Bench Instructions - Motorized Height Adjustment



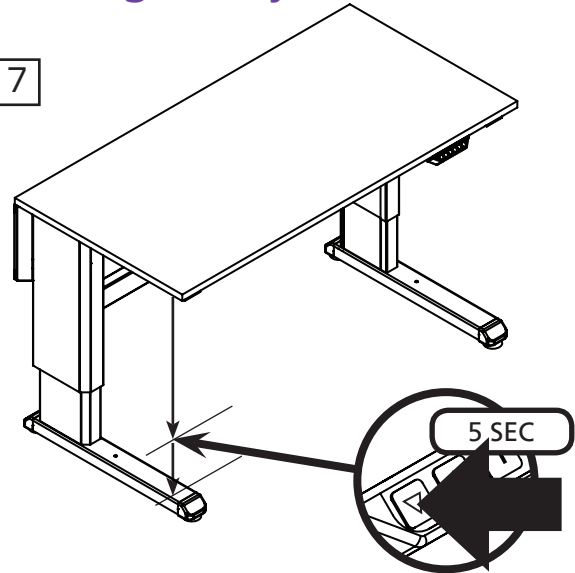


C-Leg Bench Instructions - Motorized Height Adjustment

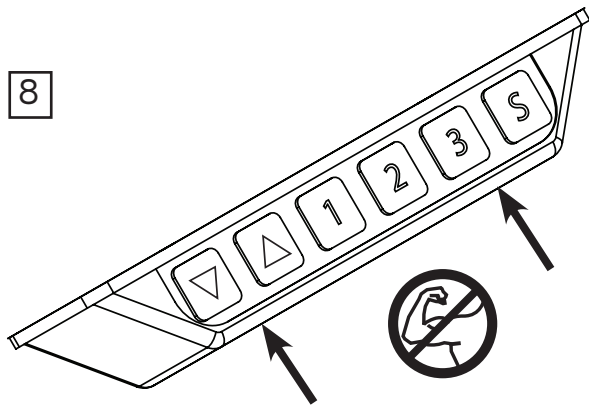
6



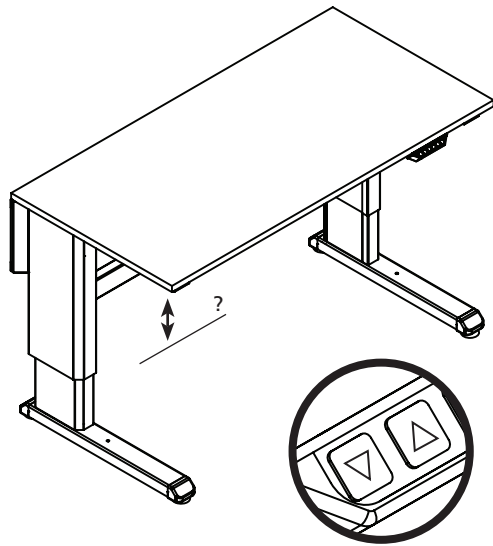
7



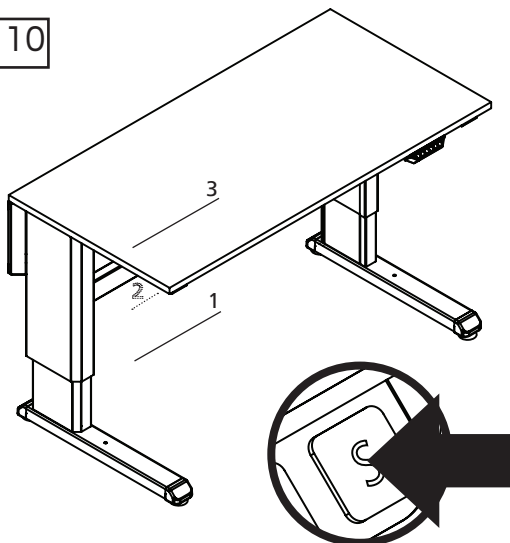
8



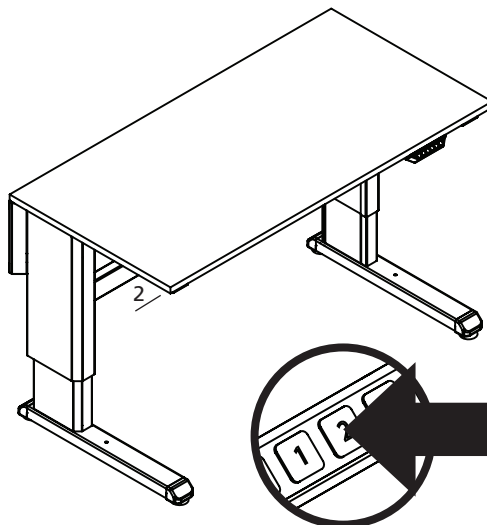
9



10



11



C-Leg Bench Instructions - Motorized Height Adjustment

Reset the table: Run the table to the lowest position.
Press down again and hold for a few seconds, until the table resets.

OPERATING CONDITIONS

The table is designed to be used mostly for light assembly in dry indoor conditions. It must not be exposed to moisture, corrosives, dust, etc. (IP20)

VOLTAGE

The table can be connected to an ungrounded network of 230 V/50 Hz or 115 V/60 Hz.

OPERATION

The maximum load capacity is marked on the table frame. The load should be divided evenly on the table top. The table can be raised by pressing the up-arrow button on the manual controller, and lowered by pressing the down-arrow button. The duty cycle of the motor (ED%) is 5%.

NOISE LEVEL

The noise level is under 45 dB(A) DS/EN ISO 3746.

MAINTENANCE

The motors and control unit of the table do not require maintenance. Screw couplings under stress should be checked at regular intervals. Dust the top of the product regularly with a duster or damp cloth. Always use the recommended cleaning equipment and materials in ESD areas. Since dirt on ESD products can reduce their ESD capabilities, remove dirt from the wheels regularly.

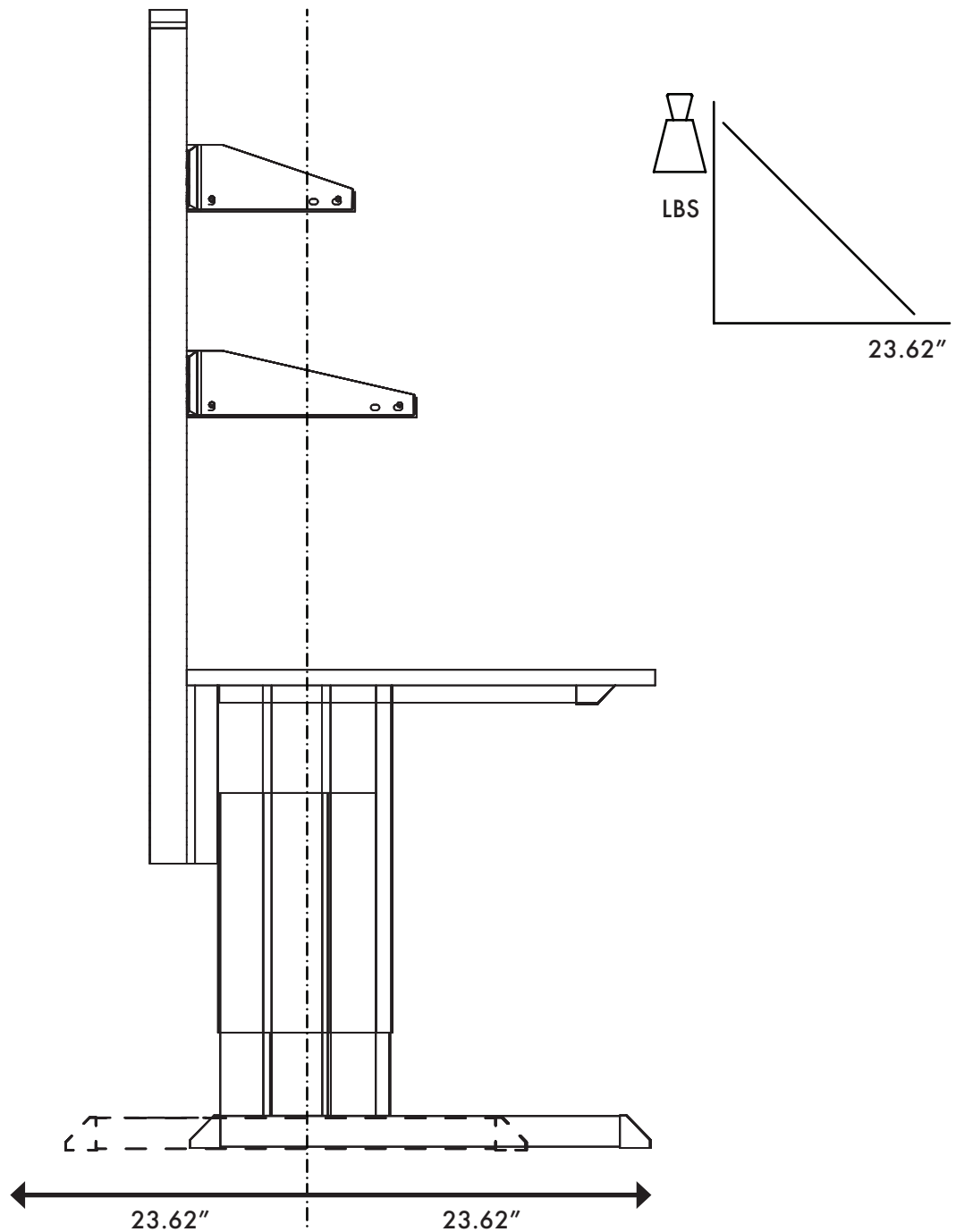
LOADING THE ADJUSTABLE TABLE

Loading capacity **1100 lbs** with evenly loaded, nominal load **660 lbs**

NOTE! Disconnect the machine from electrical network before repairing work.

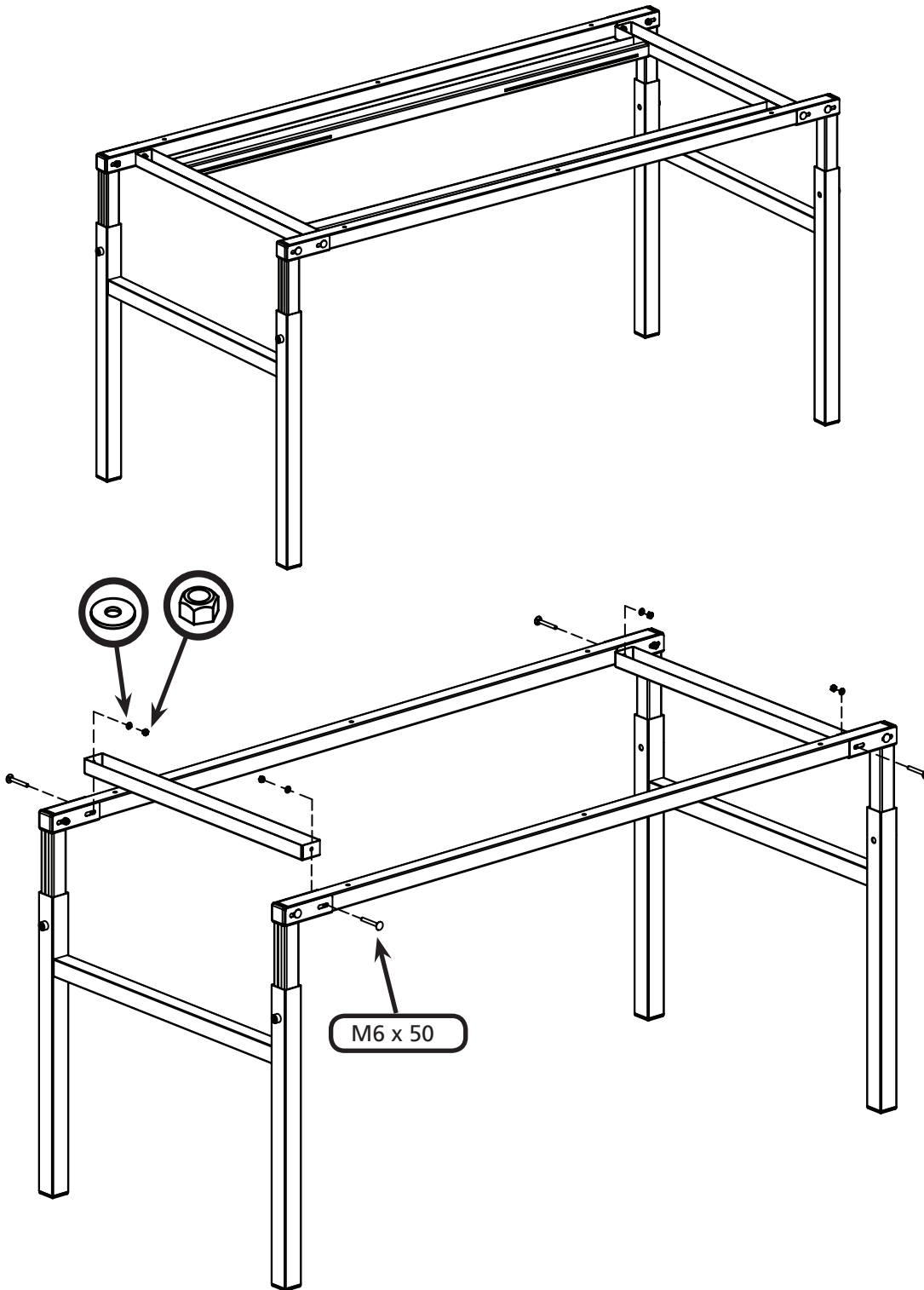


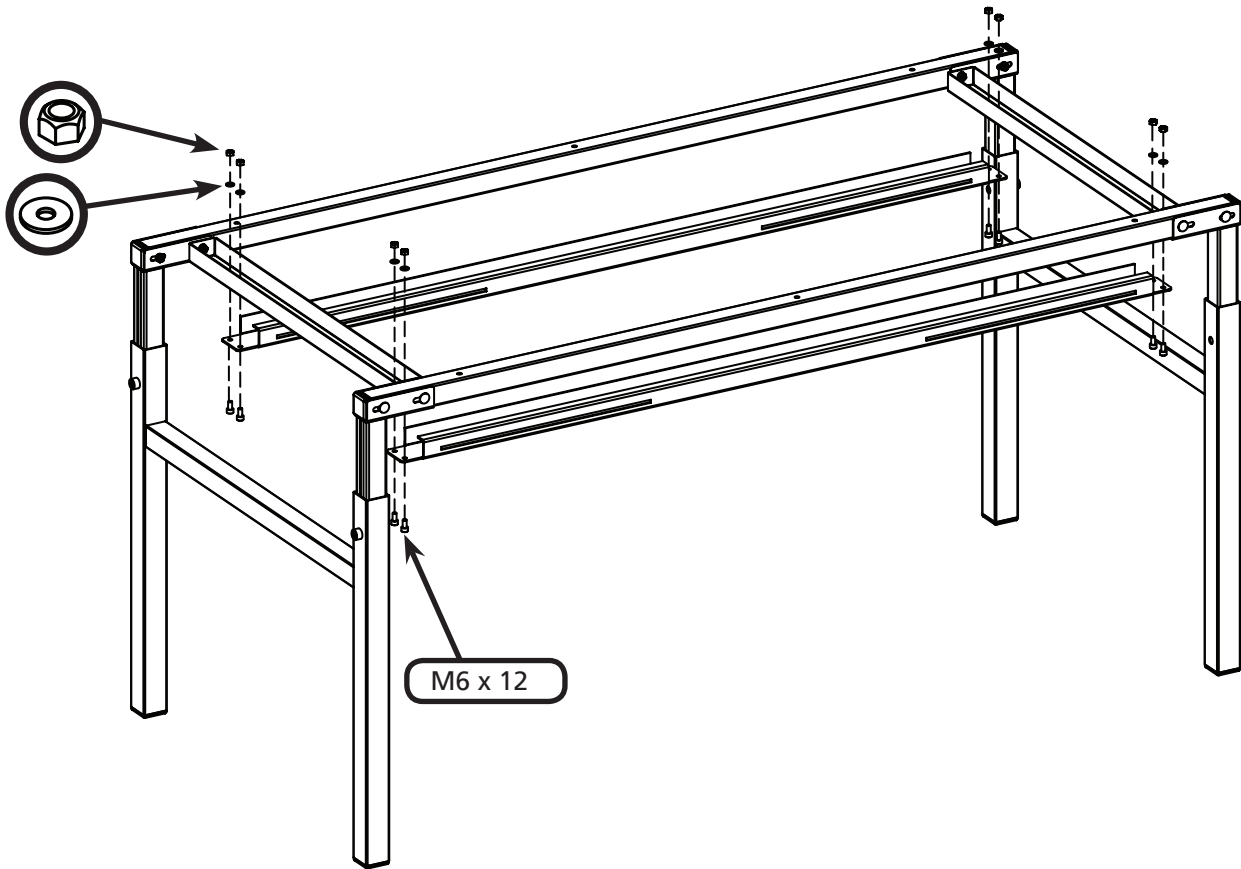
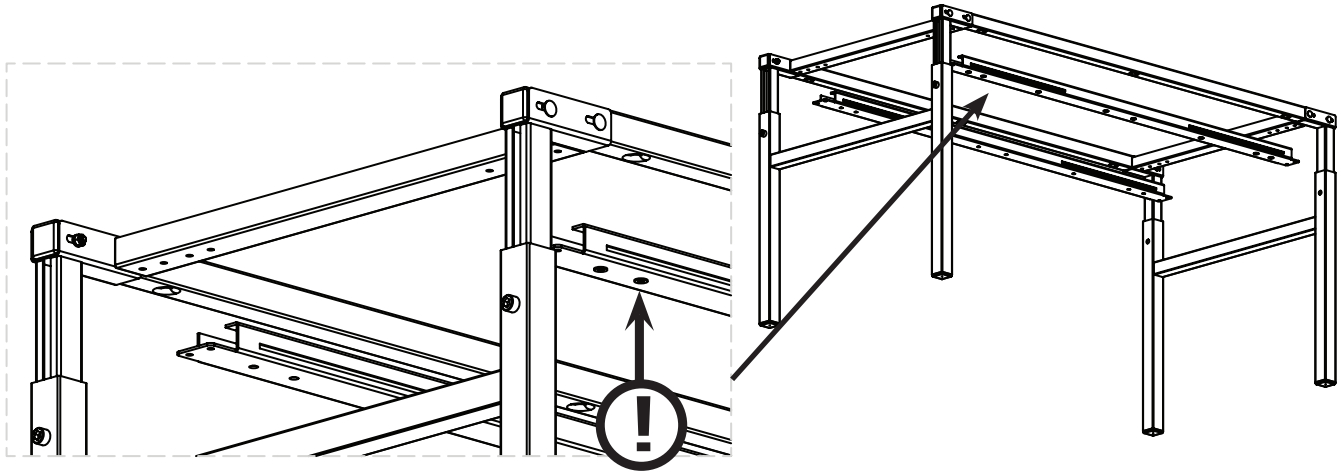
C-Leg Bench Instructions - Manual/Crank/Motor



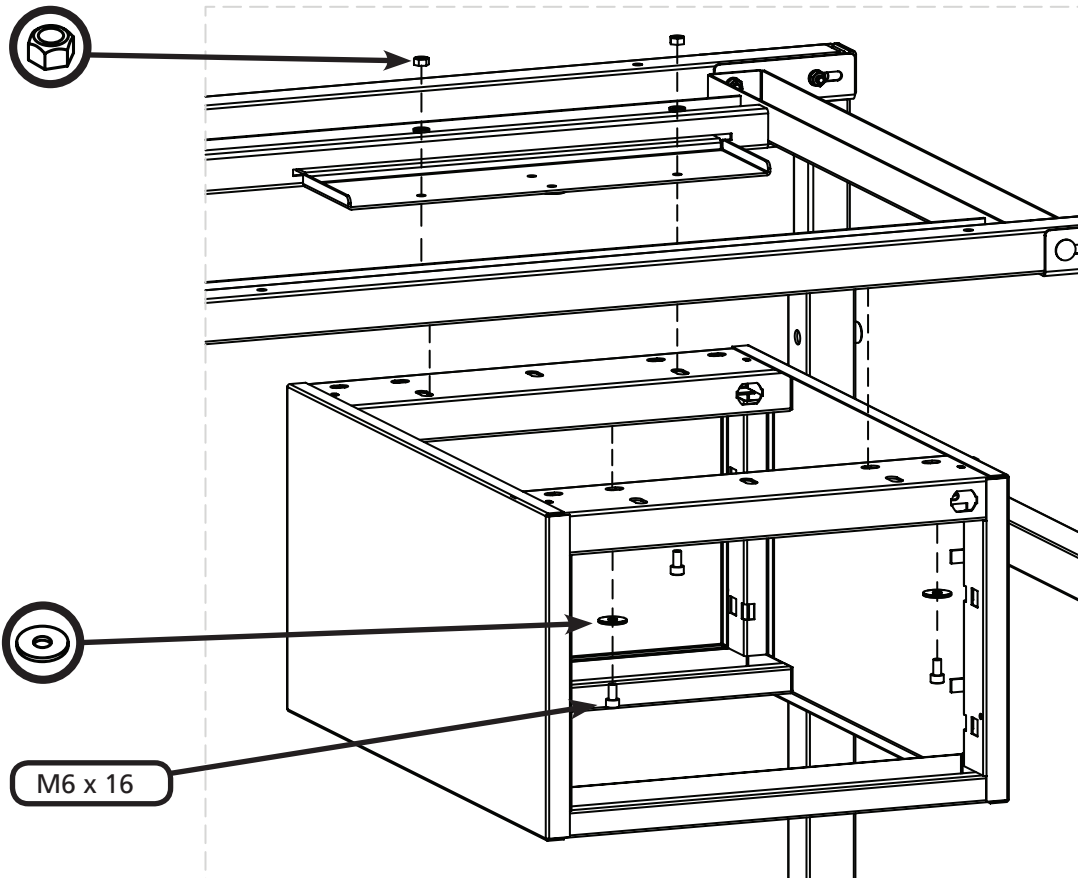
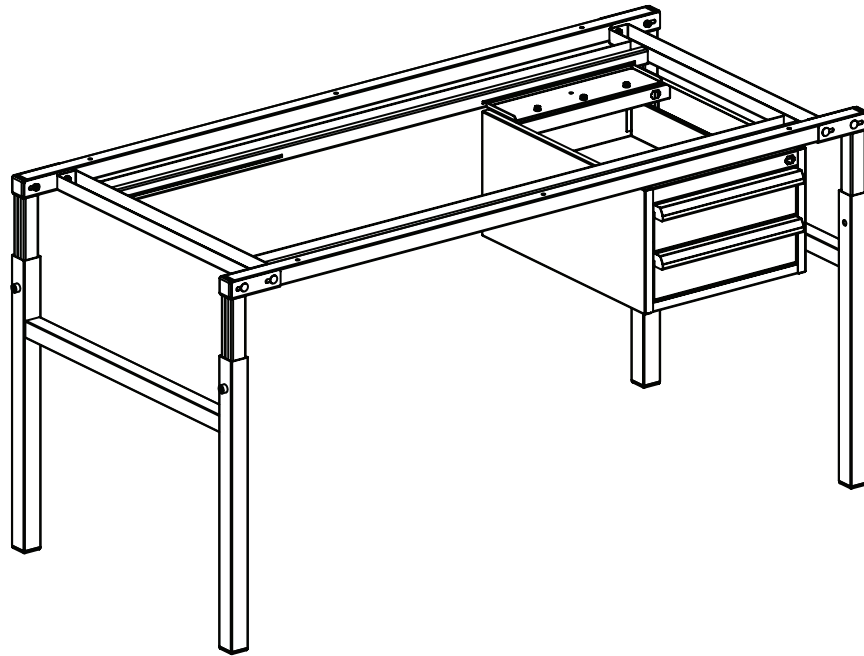
C-LEG FOOT CAN BE ADJUSTED FOR EQUAL WEIGHT DISTRIBUTION OF LOAD ON WORKSURFACE/UPRIGHTS. FOOT CAN BE MOUNTED IN THE MIDDLE OF THE LEG FOR LOADS DISTRIBUTED TOWARD THE BACK OF THE WORKSTATION.

Drawer Mounting Bracket Attachment on 4-Leg Frames



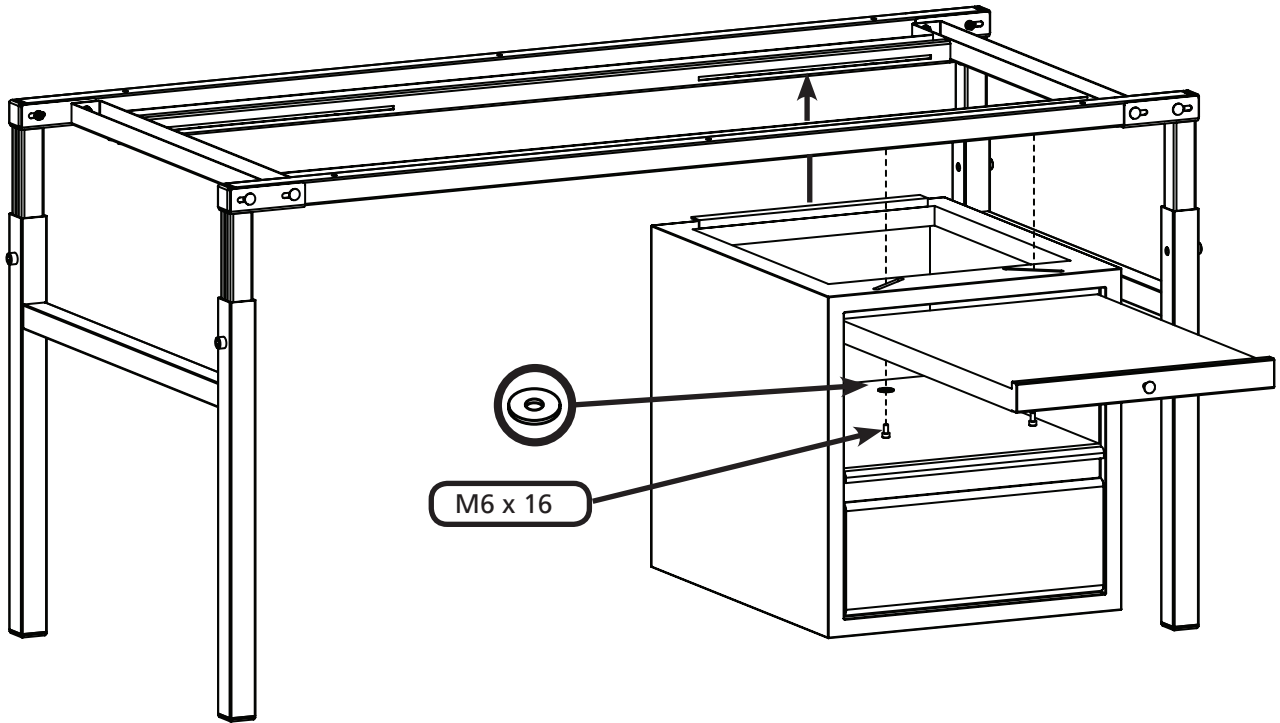


VWR® Drawer Mounting Instructions for 4-Leg Frames

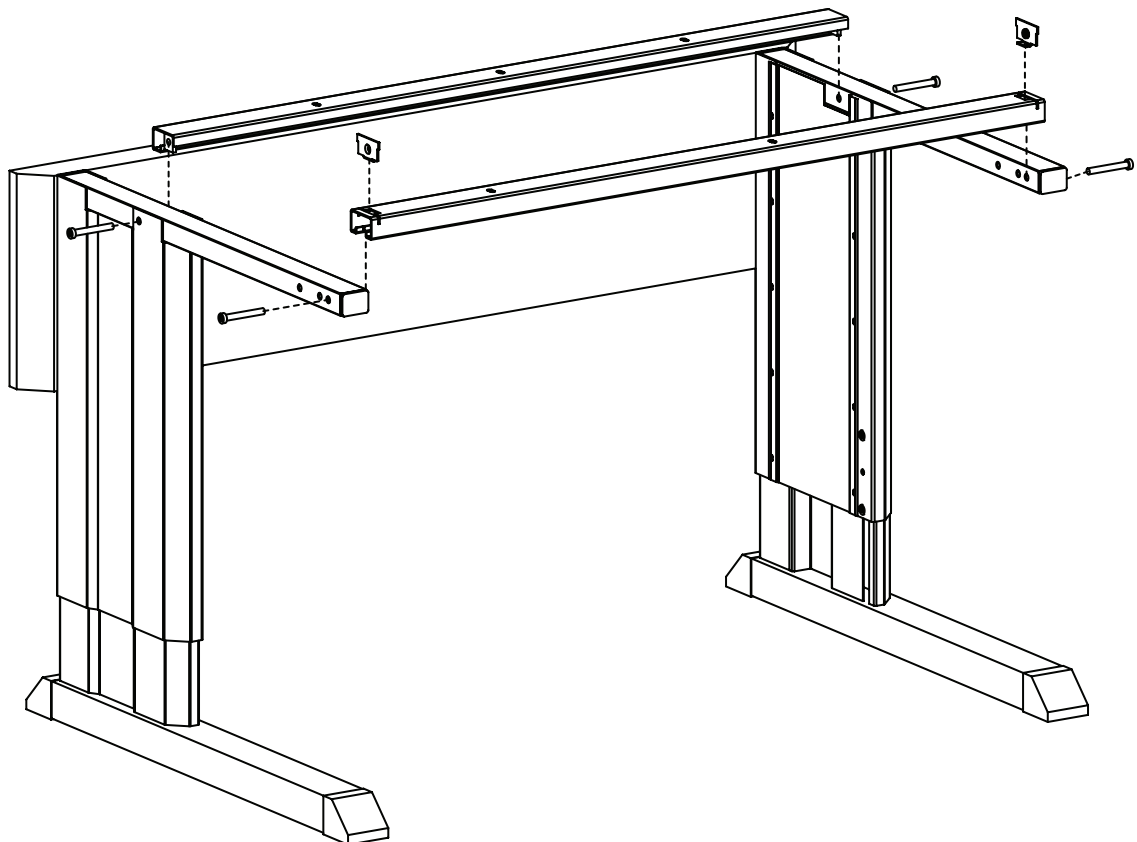
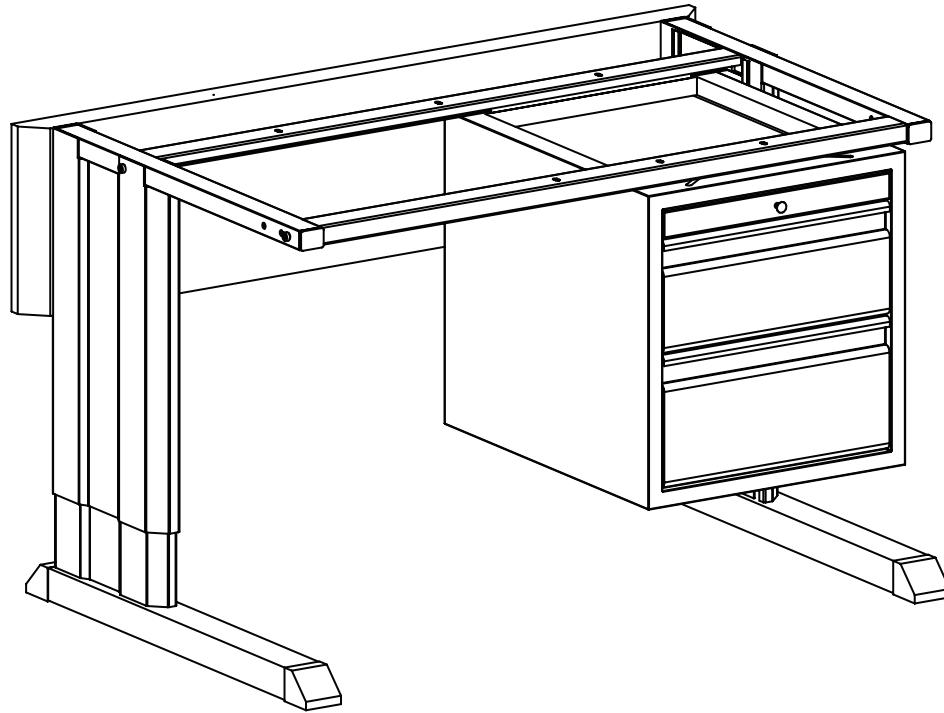




Contour™ Drawer Mounting Instructions for 4-Leg Frames

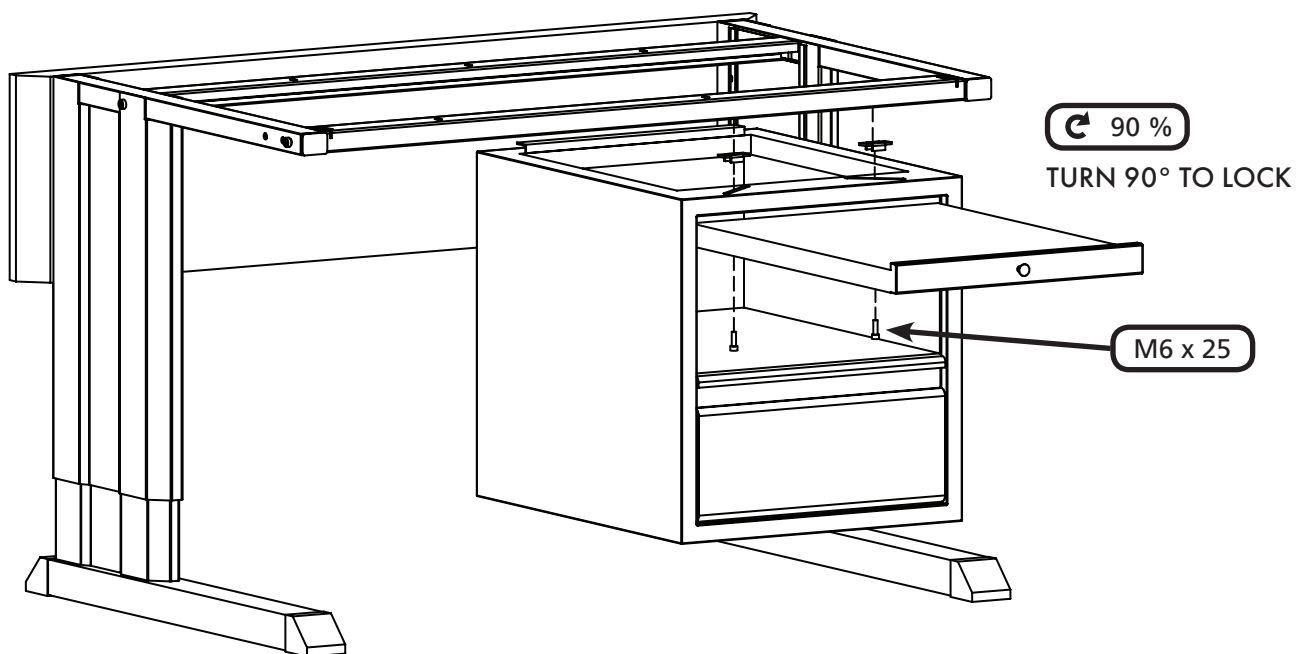
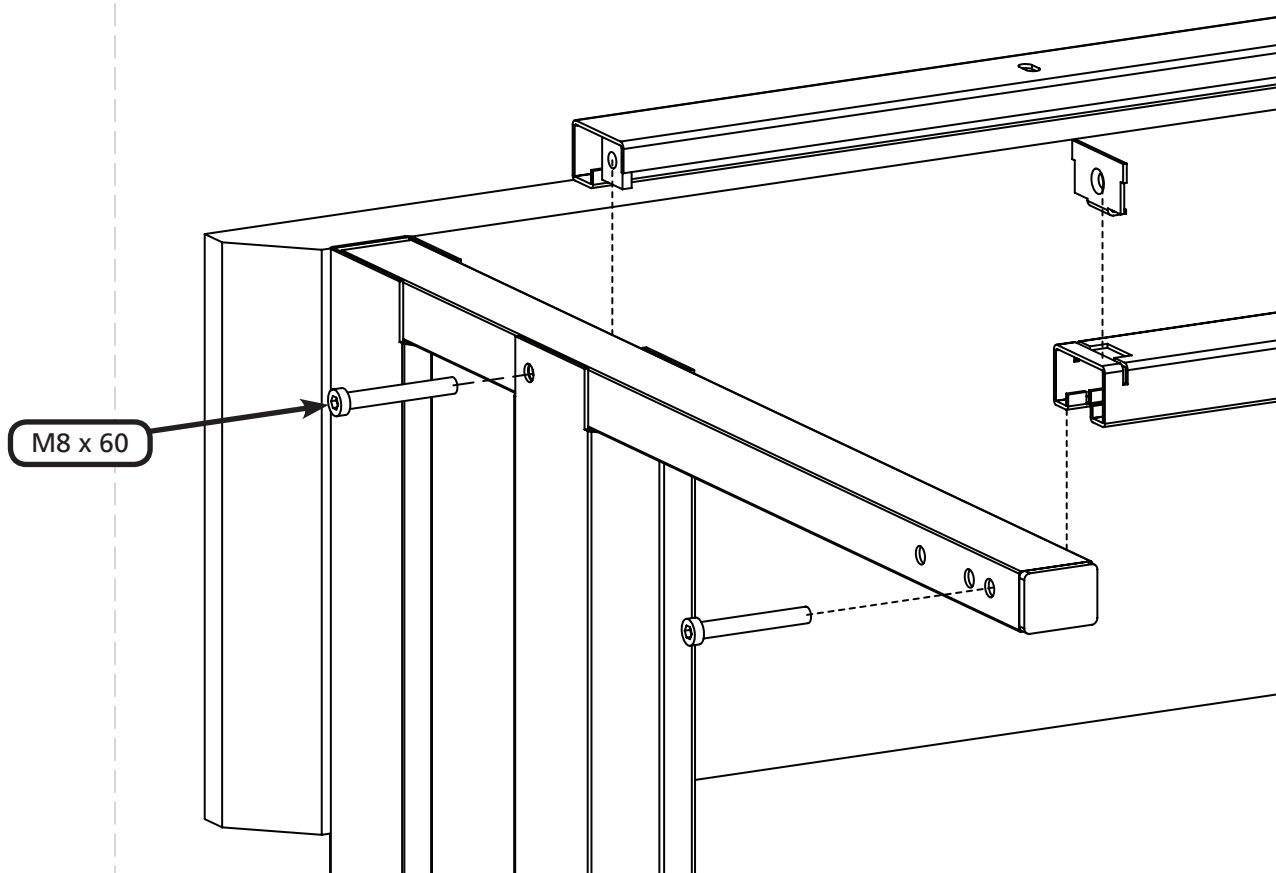


Drawer Mounting Bracket Attachment on C-Leg Manual Frames



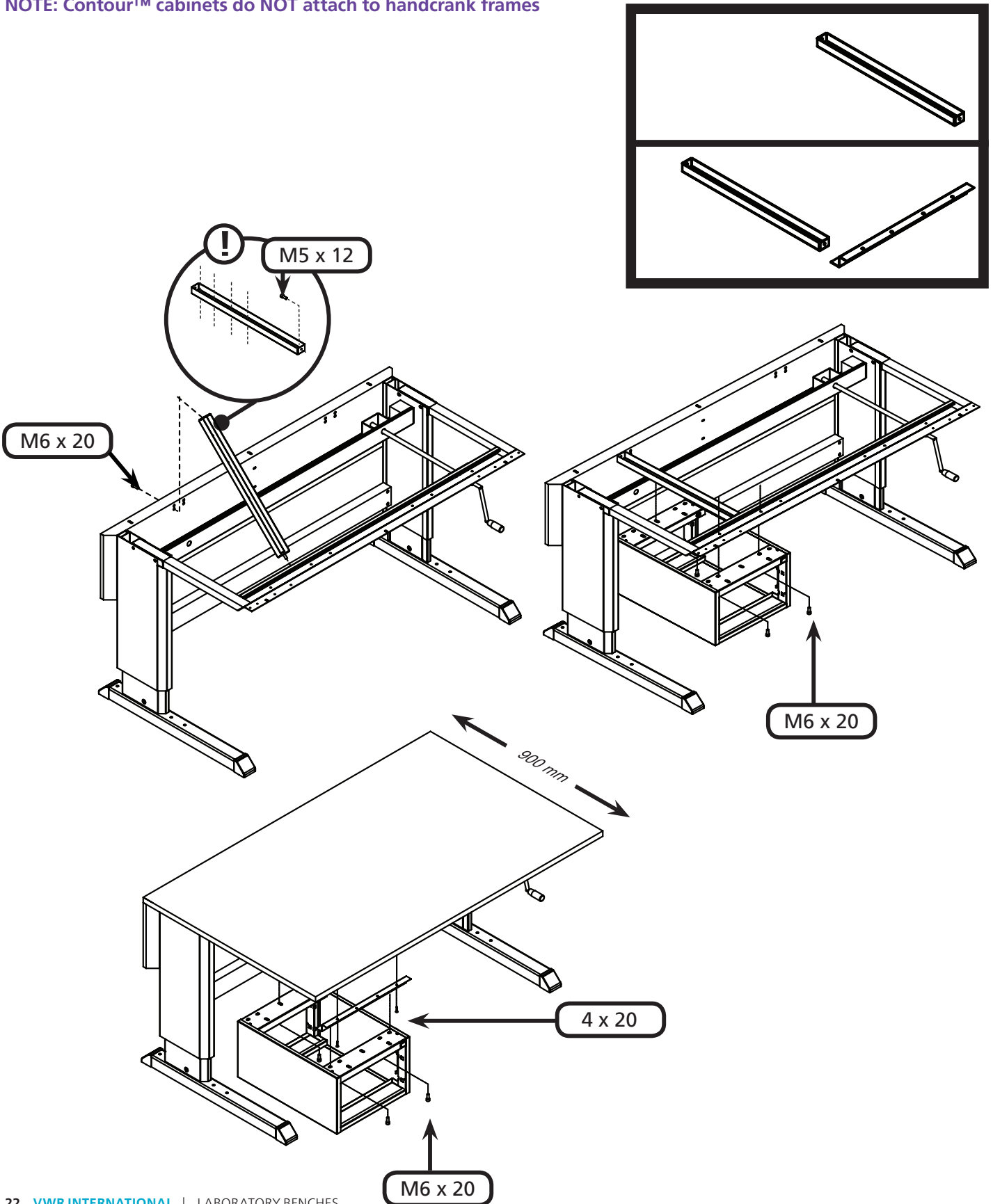


Contour™ Drawer Mounting for C-Leg Manual Frames



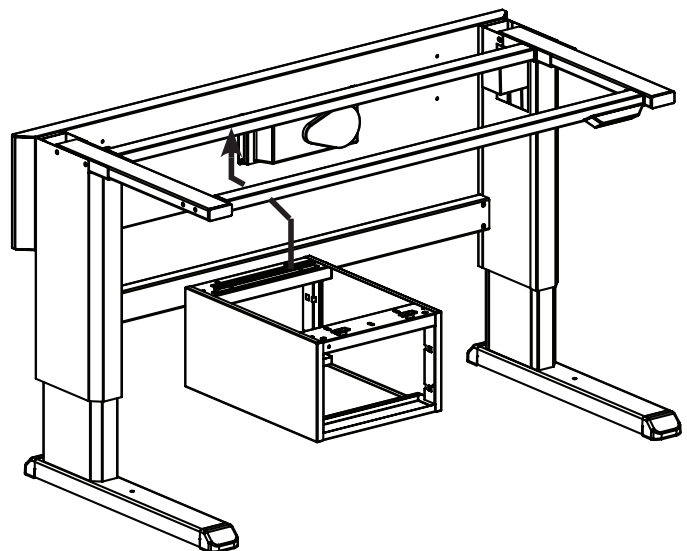
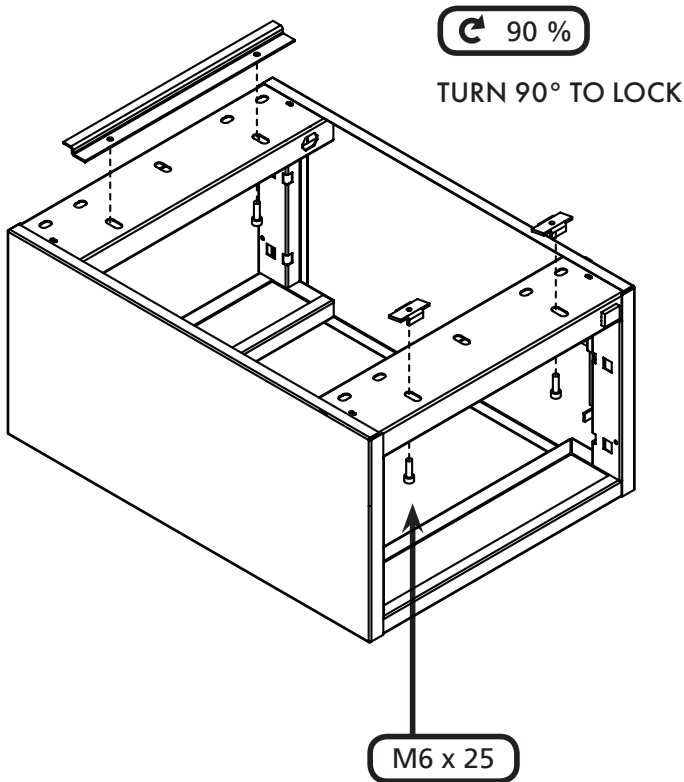
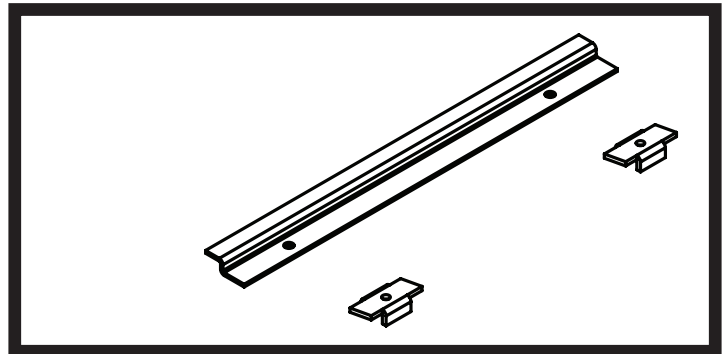
VWR® Drawer Mounting Brackets for C-Leg Handcrank Frames

NOTE: Contour™ cabinets do NOT attach to handcrank frames



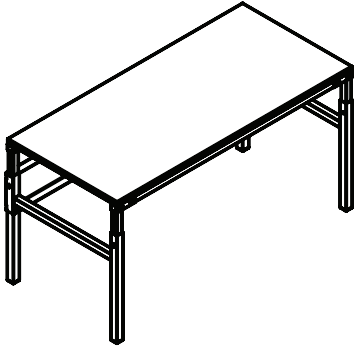


Drawer Mounting Instructions for C-Leg Motorized Frames

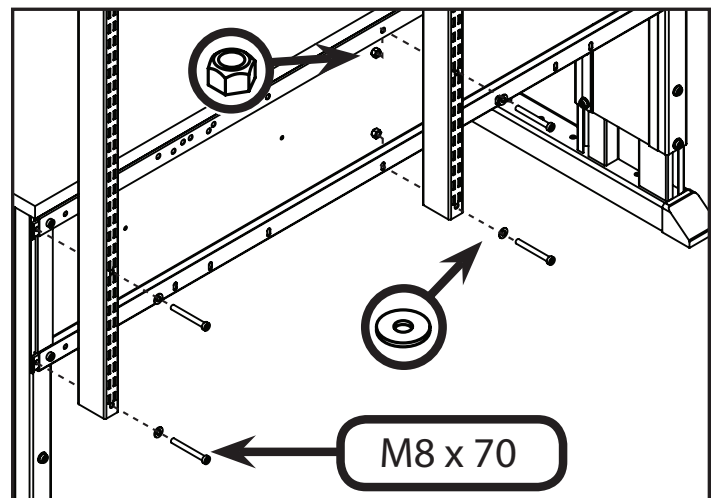
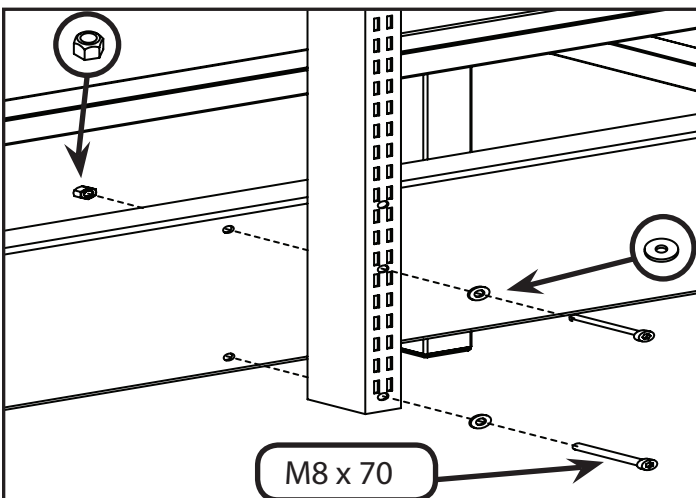
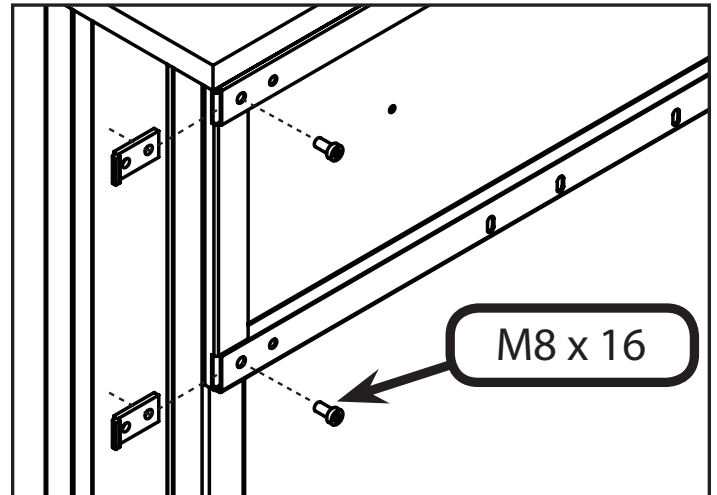
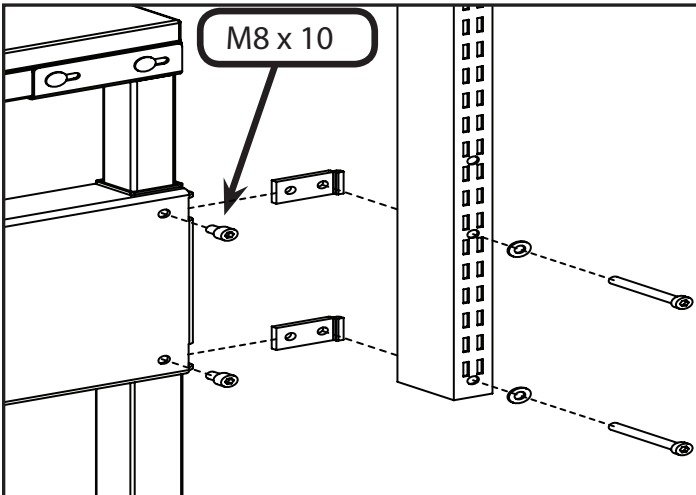
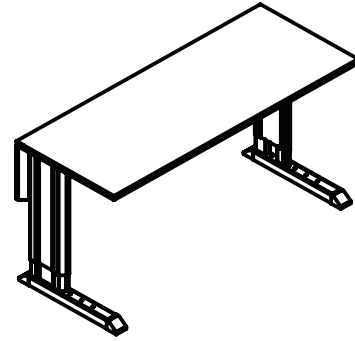


Upright Attachment Instructions

4-Leg

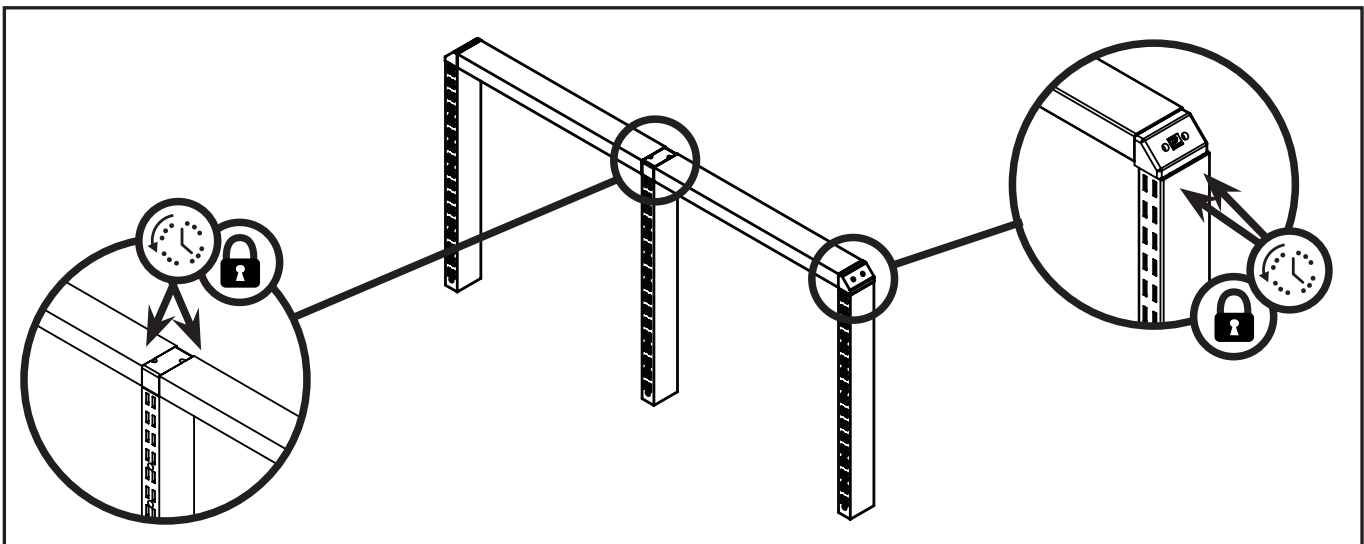
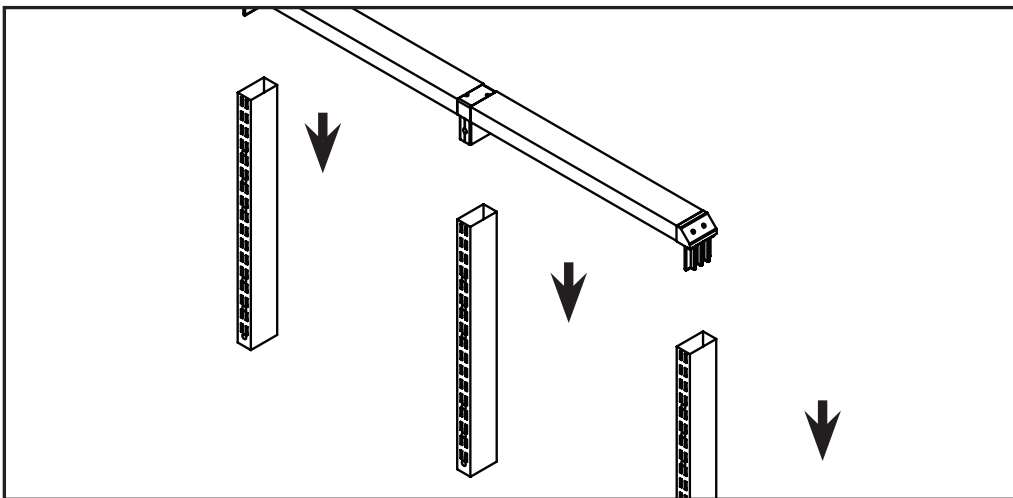
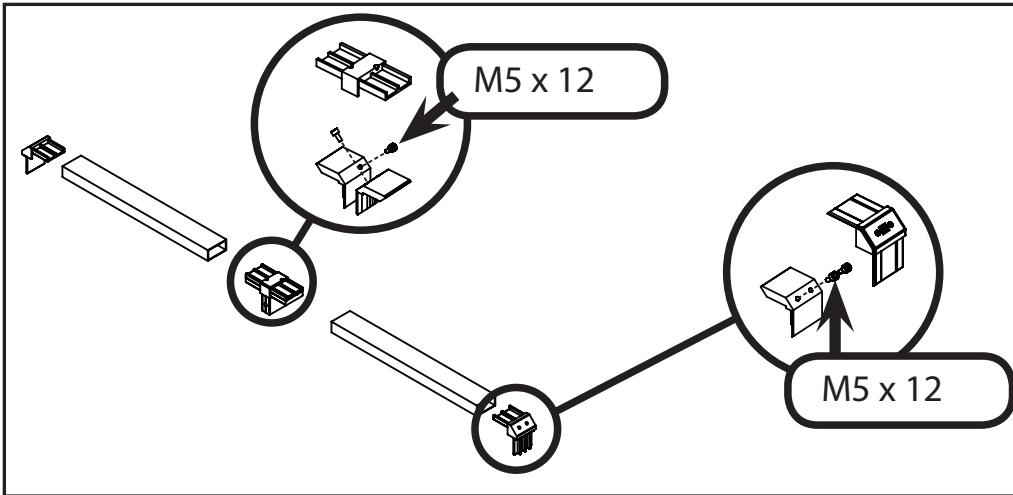
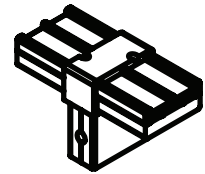
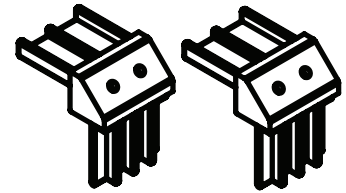


C-Leg

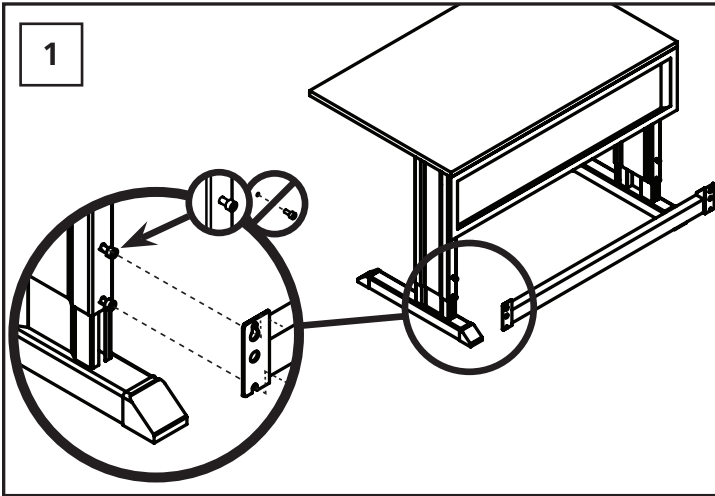




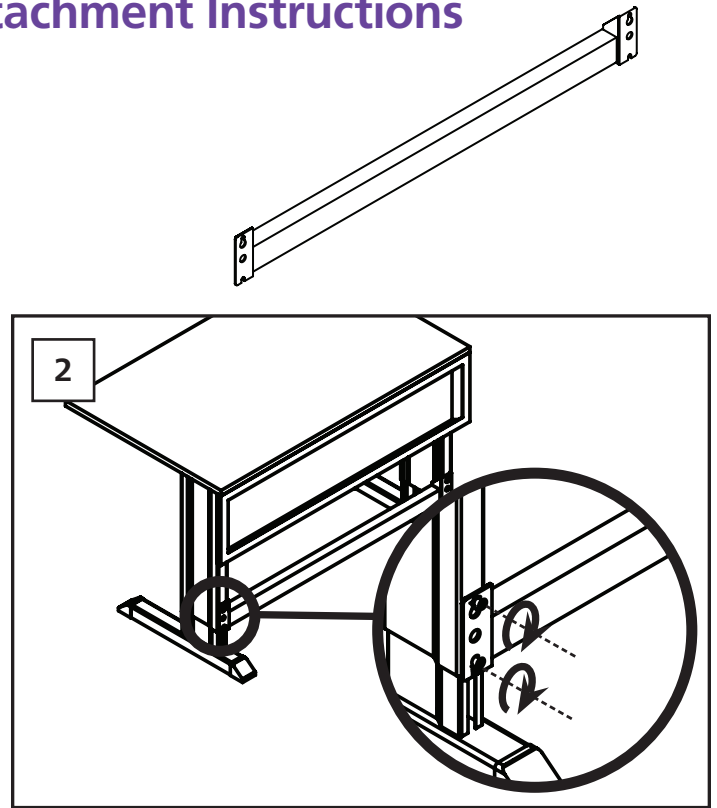
Upright Component Assembly Instructions



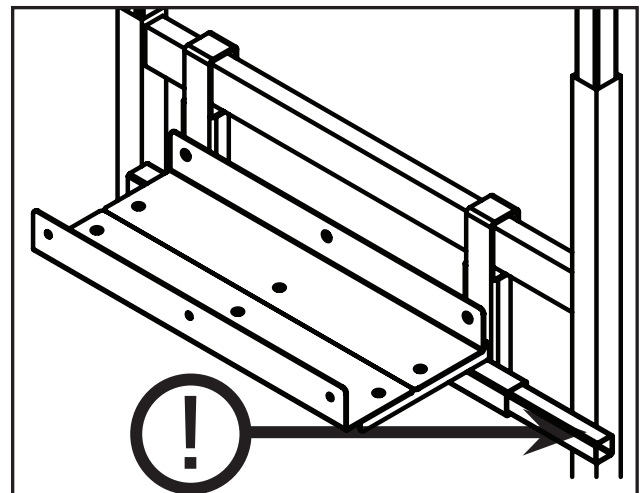
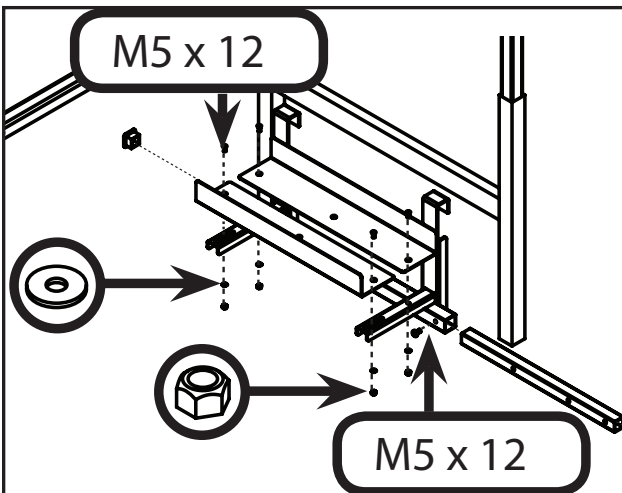
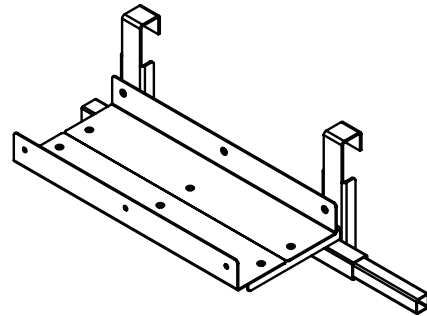
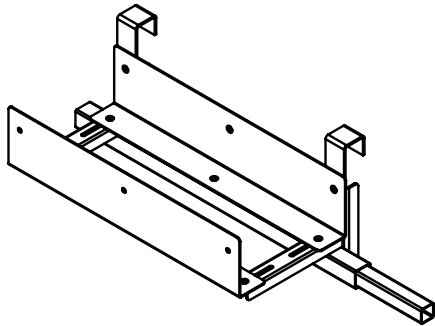
C-Leg Manual Accessories Bar Attachment Instructions



DO NOT FULLY REMOVE BOLT, ONLY LOOSEN ENOUGH TO ALLOW LEG ADJUSTMENT.

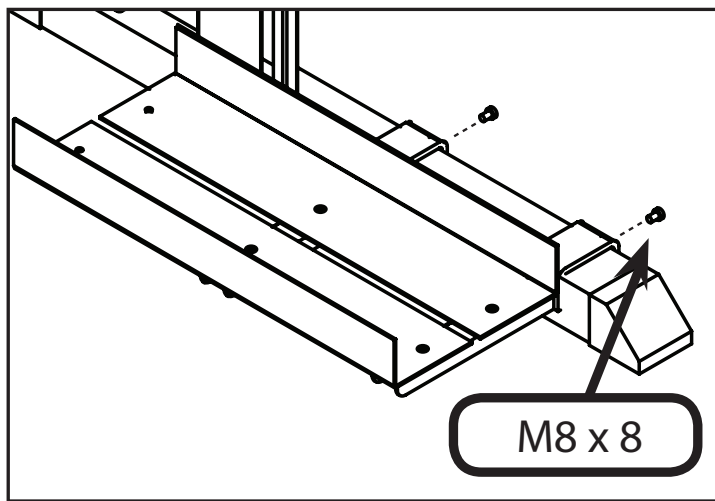
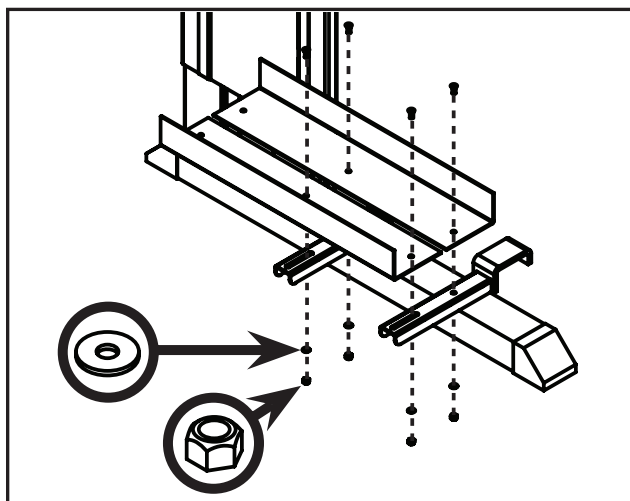
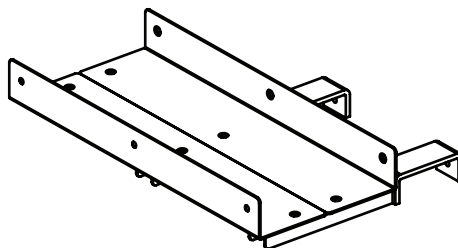
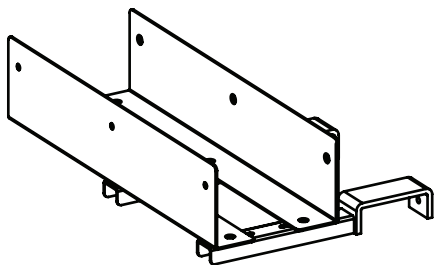
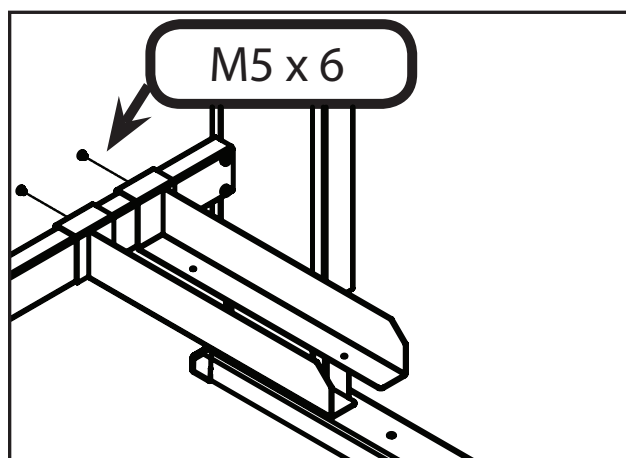
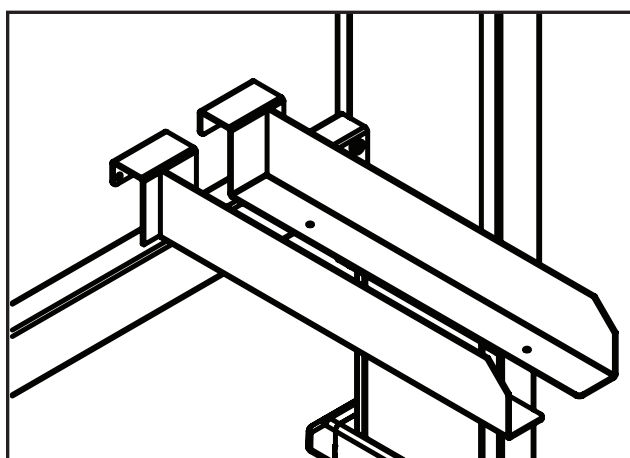
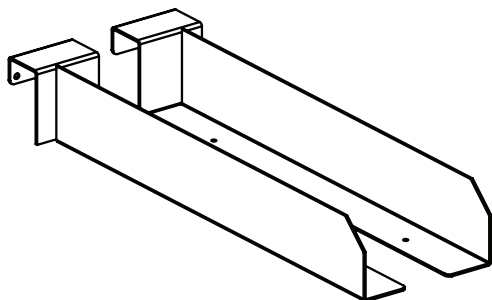


CPU Holder Assembly Instructions - 4-Leg Frame



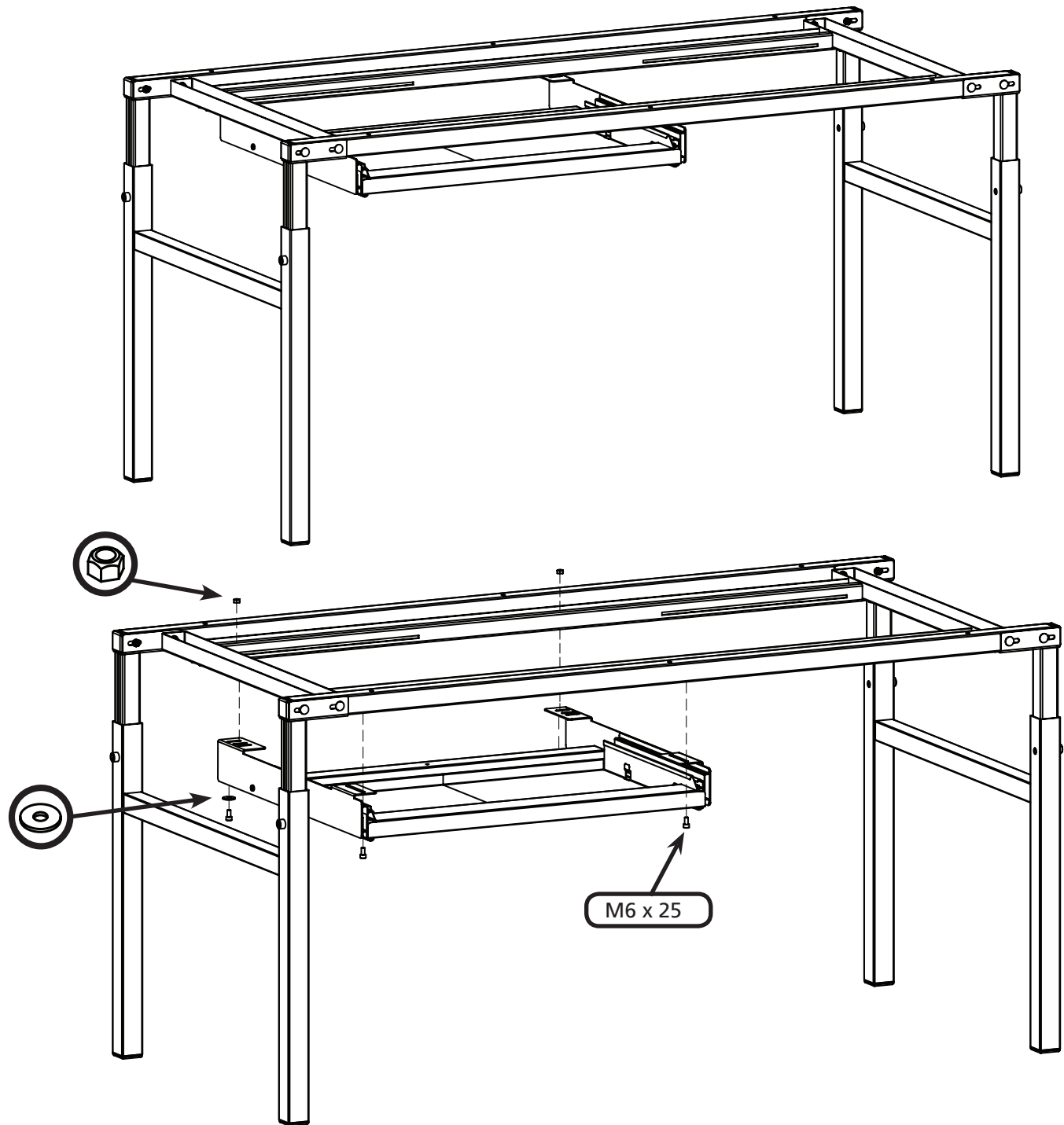


CPU Holder Assembly Instructions - C-Leg Frame



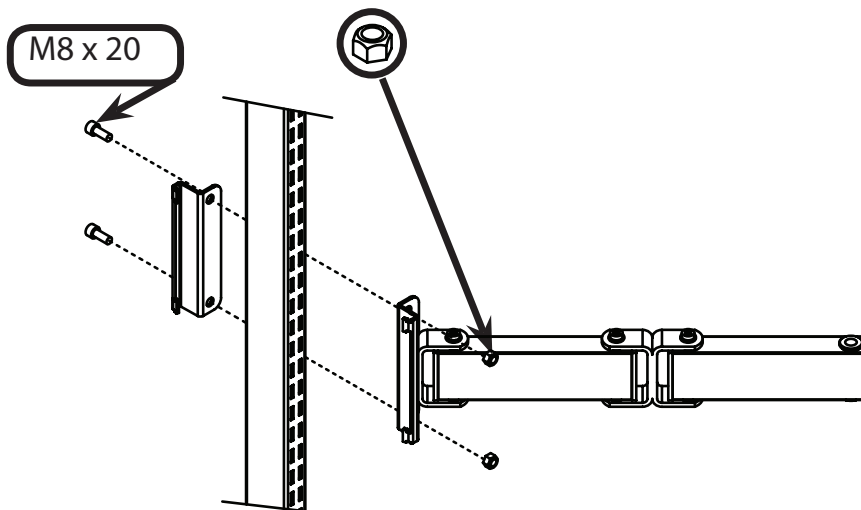
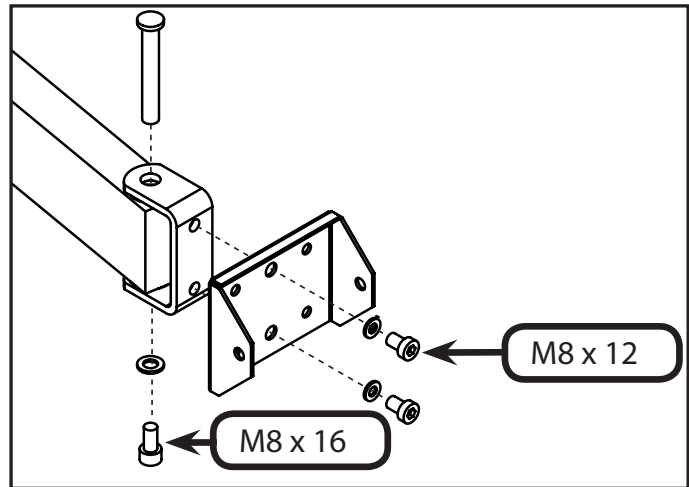
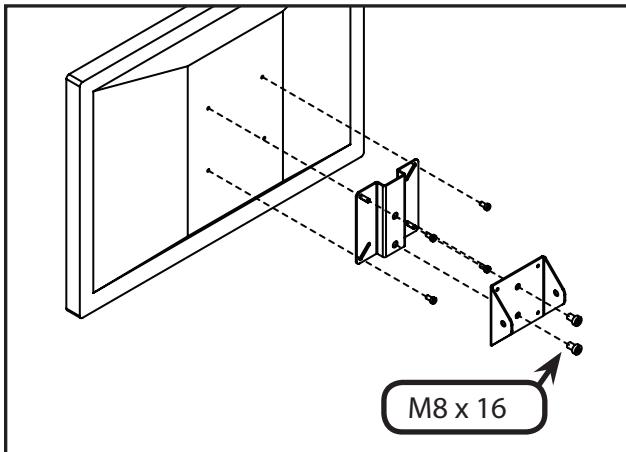
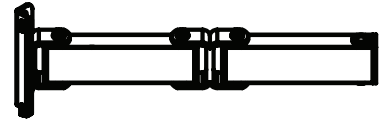
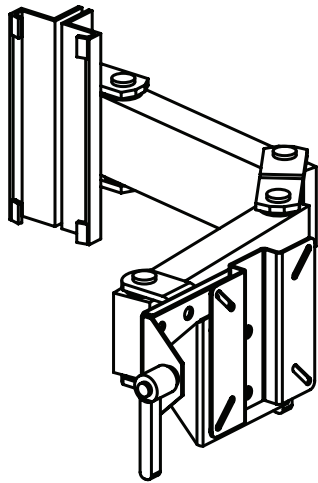
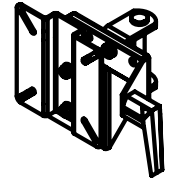
Keyboard Tray Assembly Instructions - 4-Leg Frame

NOTE: 4-Leg Drawer Attachment Bracket is needed for attachment of keyboard tray to 4-leg frame.

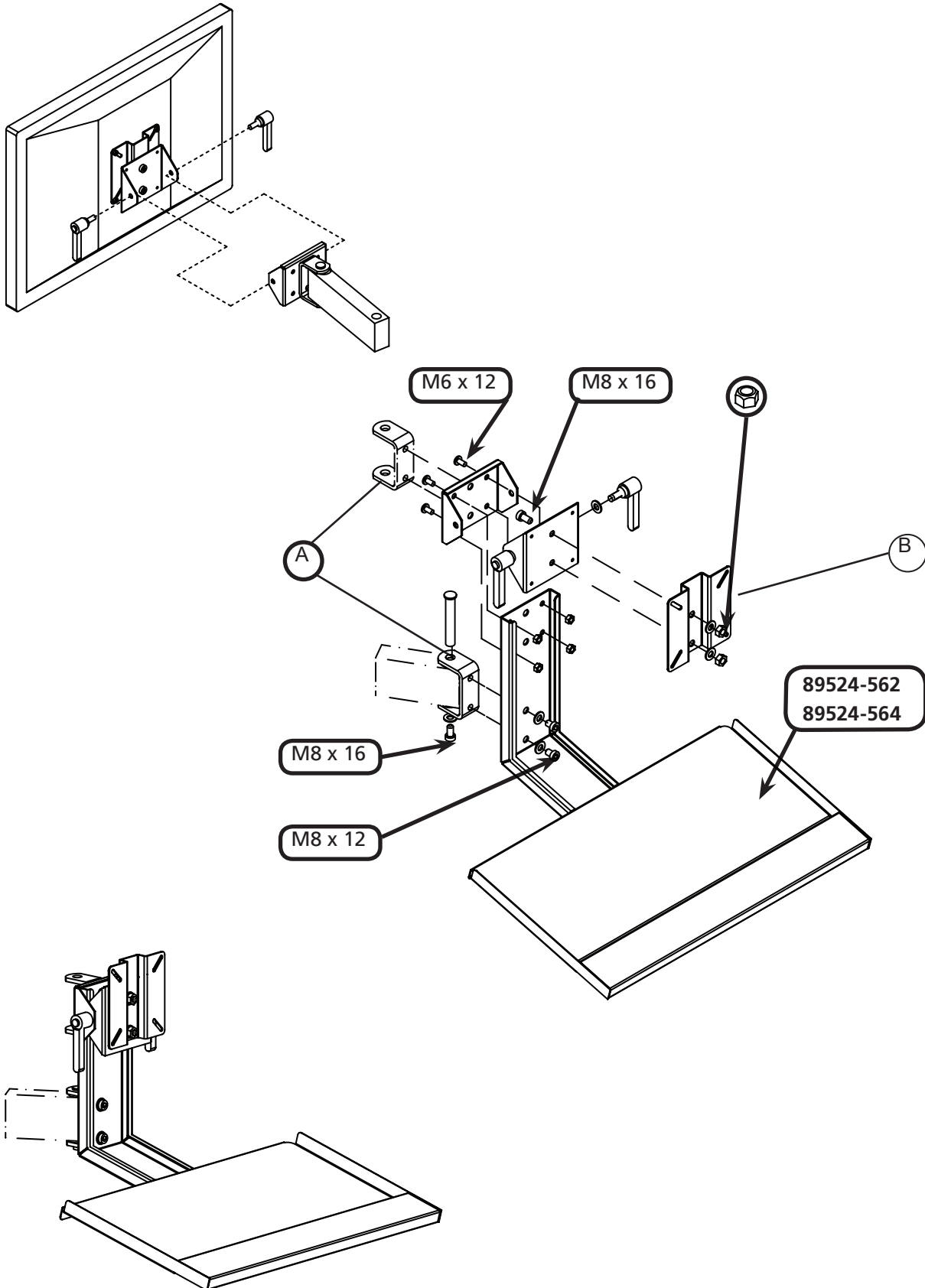




LCD Monitor Arm Assembly Instructions

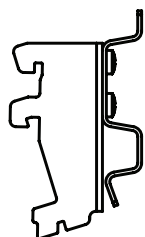


LCD Monitor Arm with Keyboard Tray Assembly Instructions



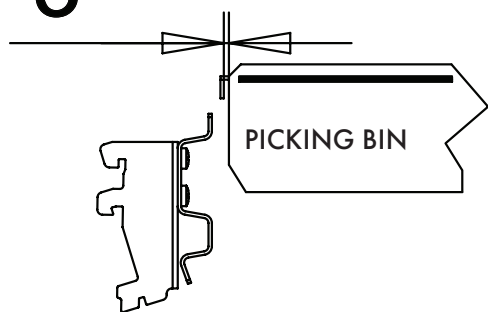


Bin Rail Assembly Instructions

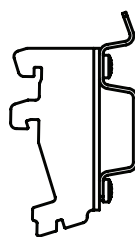
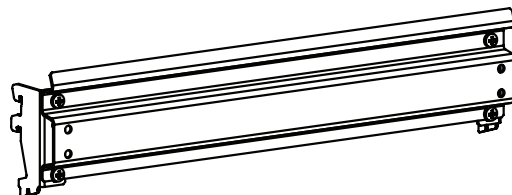
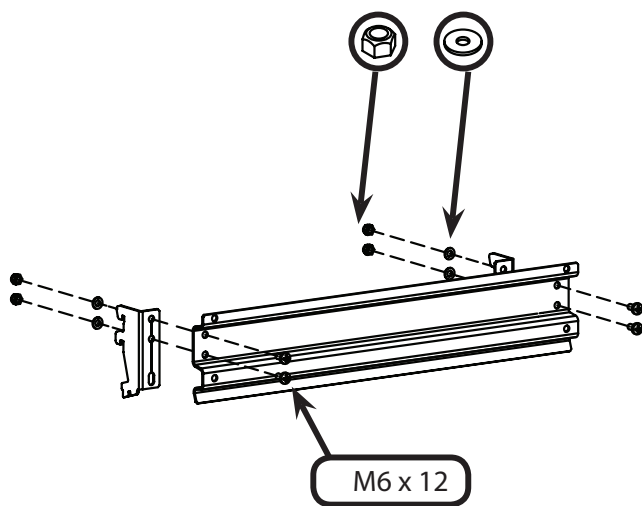


CONFIGURED FOR
PICKING BINS

3

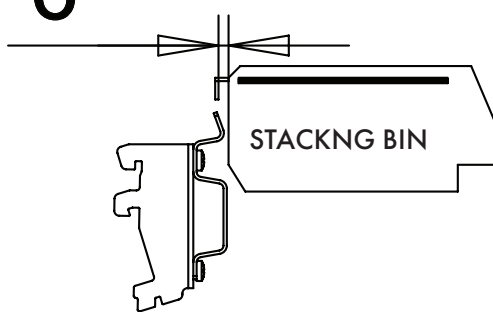


PICKING BIN

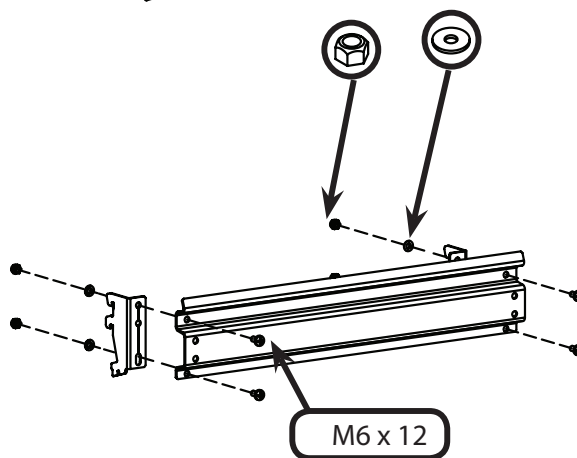


CONFIGURED FOR
STACKING BINS

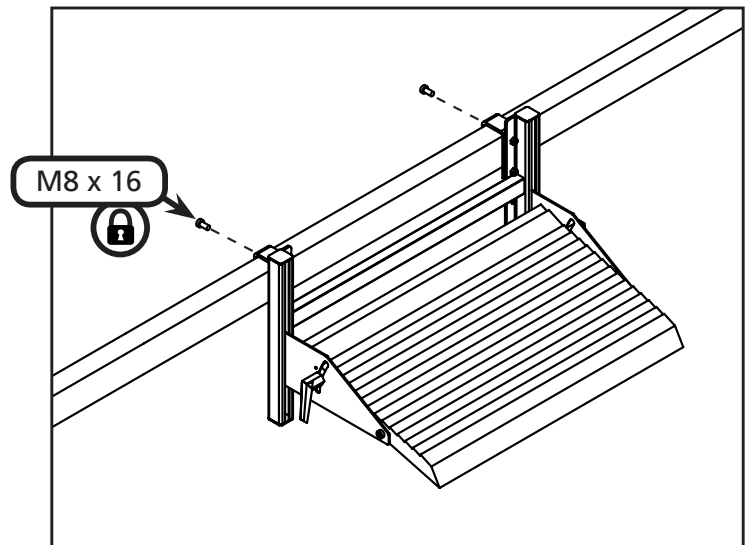
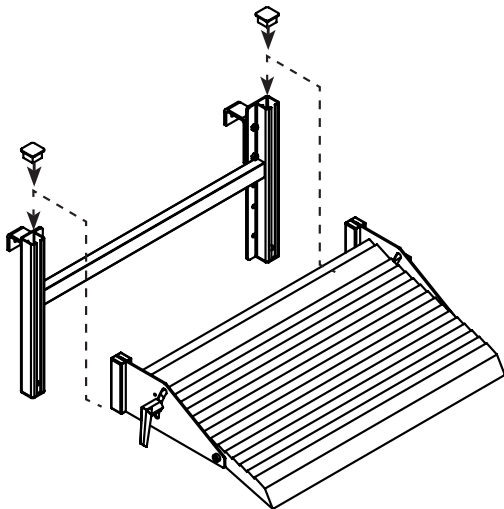
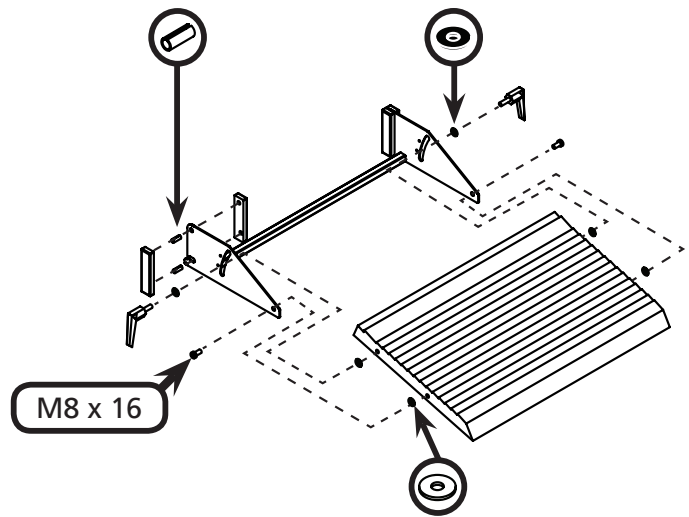
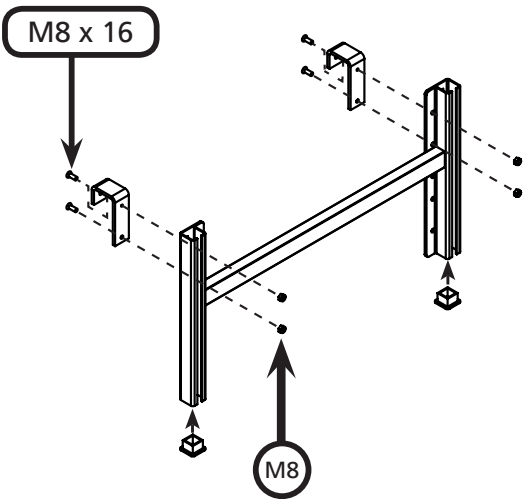
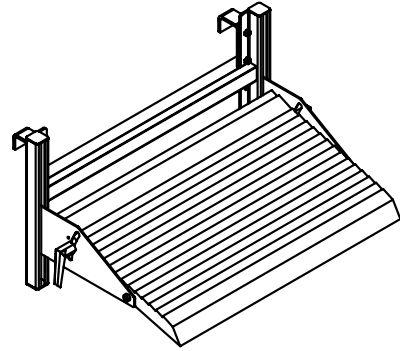
6



STACKING BIN

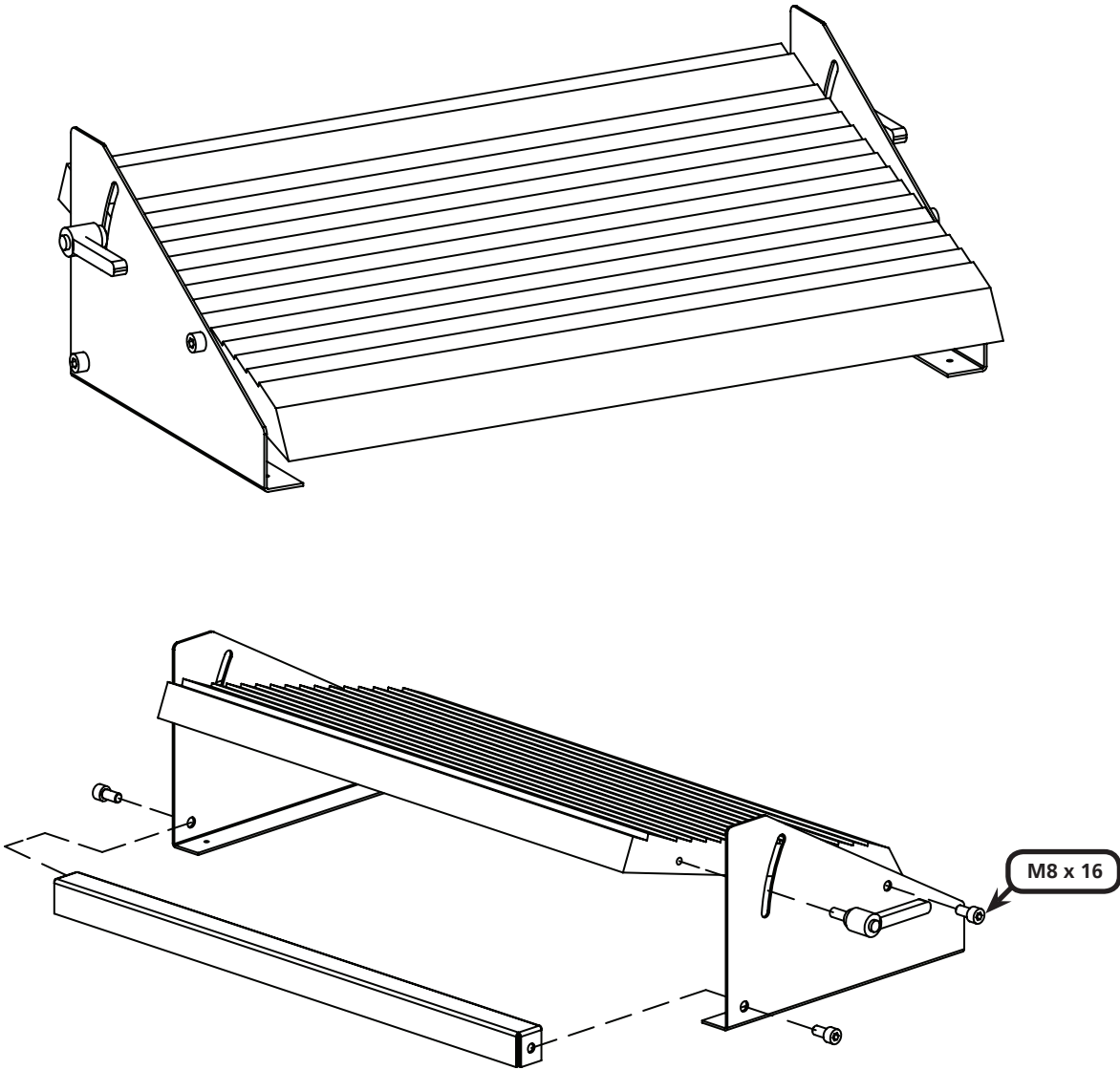


Footrest Assembly Instructions





Footrest Assembly Instructions



Hardware for 4-Leg Frame Assembly

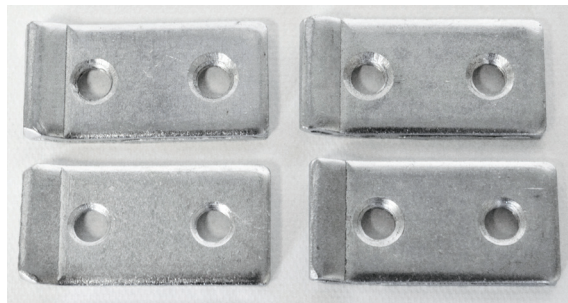
The following hardware is included with the VWR® 4-Leg Frame:

Frame Components:

- (8) - M6 nuts
- (8) - M6 star washers
- (8) - M6 flat washers
- (8) - M6 x 45 bolts
- (4) - end caps (included in horizontal rails)
- (4) - M10 x 20 bolts
- (4) - M8 plate nuts
- (4) - glides
- (4) - glide inserts
- (6) - wood screws for worksurface attachment

Upright Attachment Components:

- (4) - upright tabs
- (4) - M8 x 12 cap screws
- (4) - M8 washers

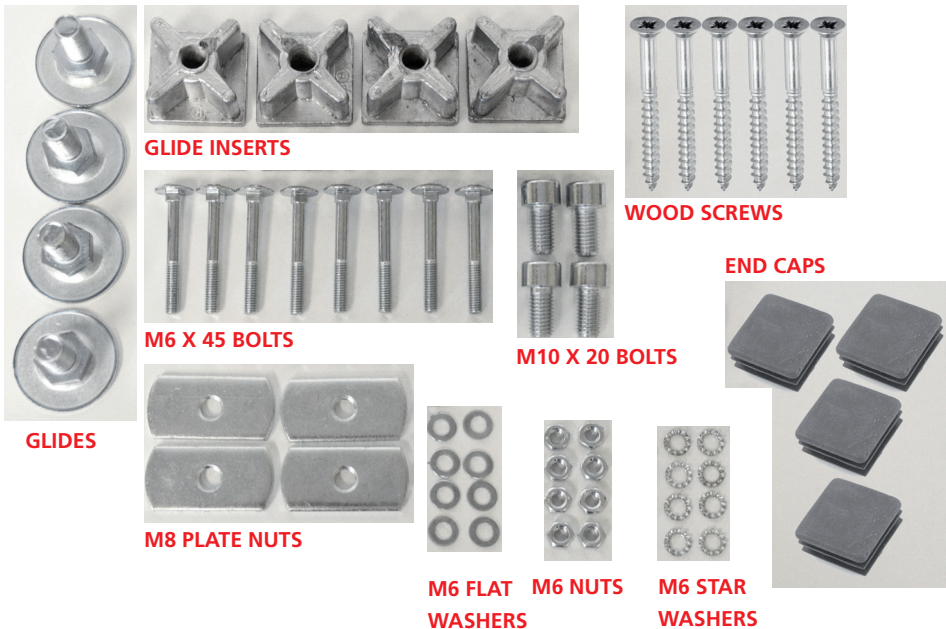


UPRIGHT TABS



M8 X 12
CAP SCREWS

M8 WASHERS



GLIDE INSERTS

WOOD SCREWS

END CAPS

M6 X 45 BOLTS

M10 X 20 BOLTS

GLIDES

M8 PLATE NUTS

M6 FLAT
WASHERS

M6 NUTS
M6 STAR
WASHERS

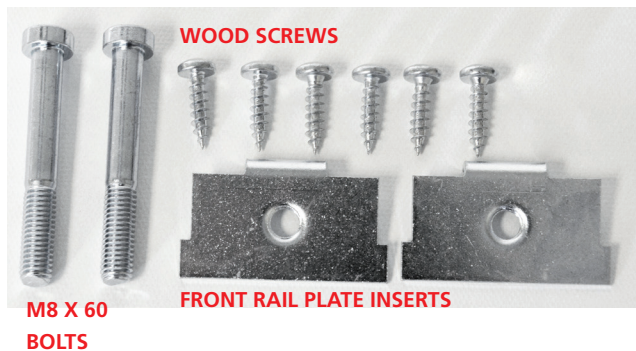


Hardware for C-Leg Manual Frame Assembly

The following hardware is included with the VWR® C-Leg Manual Frame:

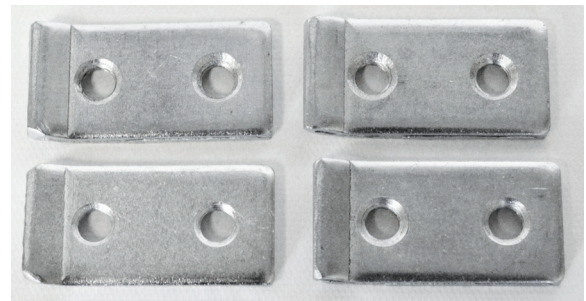
Frame Components:

- (2) - front rail plate inserts
- (2) - M8 x 60 bolts
- (6) - wood screws
- (4) - M8 x 16 Bolts (included on frame legs)
- (4) - M8 nuts (included on frame legs)



Upright Attachment Components:

- (4) - upright tabs
- (4) - M8 x 12 cap screws
- (4) - M8 washers



UPRIGHT TABS



M8 X 12 CAP SCREWS

M8 WASHERS



M8 X 16 BOLTS AND NUTS (INCLUDED ON FRAME LEGS)

Hardware for C-Leg Handcrank Frame Assembly

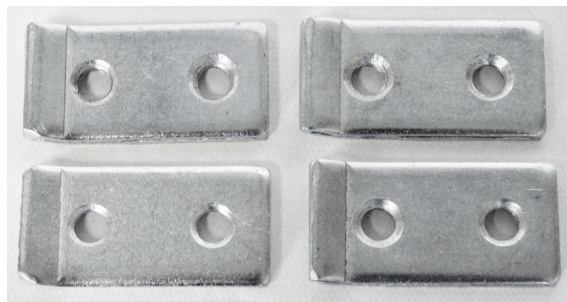
The following hardware is included with the VWR® C-Leg Handcrank Frame:

Frame Components:

- (4) - M8 x 70 bolts
- (2) - plate nuts
- (14) - M8 x 16 bolts
- (8) - M4 x 20 wood screws
- (4) - M8 nuts
- (6) - M6 x 12 pan head screws
- (8) - M8 flat washers
- (16) - hole caps
- (4) - glides

Upright Attachment Components:

- (4) - upright tabs
- (4) - M8 x 12 cap screws
- (4) - M8 washers



UPRIGHT TABS

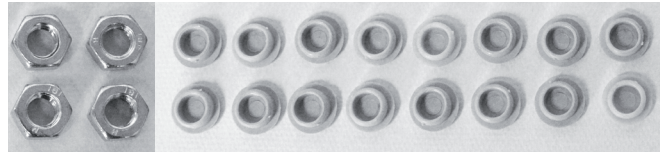


M8 X 12
CAP SCREWS

M8 WASHERS

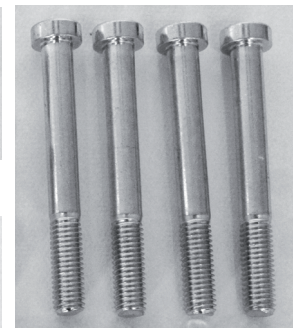
Crank Attachment Components:

- (2) - M6 x 12 bolts
- (2) - M6 nuts
- (2) - M6 flat washers
- (1) - M4 x 20 pan head screws
- (1) - M4 nut



M6 NUTS

HOLE CAPS



M8 X 70

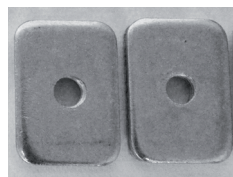
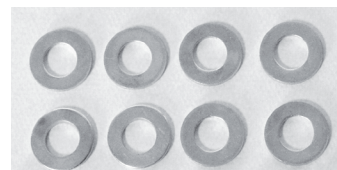
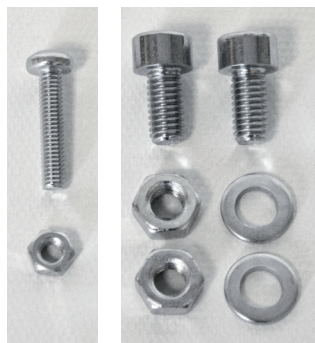


PLATE NUTS



M8 FLAT WASHERS



CRANK ATTACHMENT
HARDWARE



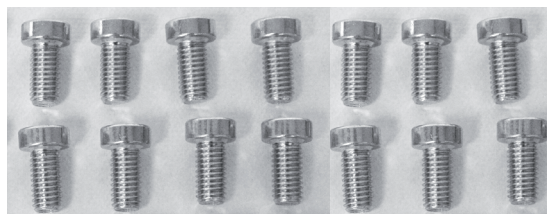
GLIDES



WOOD SCREWS



M6 X 12 PAN HEAD SCREWS



M8 X 16 BOLTS



Hardware for C-Leg Motor Frame Assembly

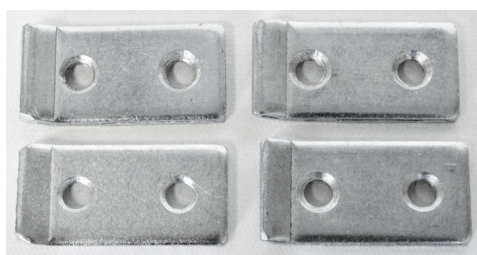
The following hardware is included with the VWR® C-Leg Motor Frame:

Frame Components:

- (4) - horizontal rail plate inserts
- (2) - zip ties
- (2) - black plastic end caps
- (2) - white cable management hooks
- (2) - spacers for top rail
- (2) - M6 x 100 bolts
- (24) - M8 x 16 bolts
- (10) - M6 x 12 pan head screws
- (8) - wood screws
- (4) - M5 x 16 pan head screws
- (12) - M8 flat washers
- (4) - M5 flat washers
- (4) - M6 nuts
- (4) - M5 nuts
- (4) - hole caps

Upright Attachment Components:

- (4) - upright tabs
- (4) - M8 x 12 cap screws
- (4) - M8 washers



UPRIGHT TABS



M8 X 12 CAP SCREWS

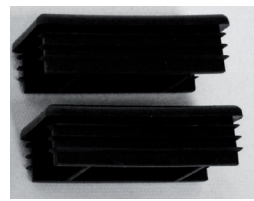
M8 WASHERS



ZIP TIES



SPACERS FOR TOP RAIL



END CAPS



M6 X 100 BOLTS



CABLE HOOKS



M8 X 16 BOLTS



M5 X 16 PAN HEAD SCREWS



WOOD SCREWS



M6 NUTS



M5 NUTS



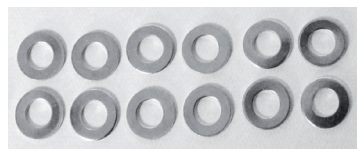
M5 FLAT WASHERS



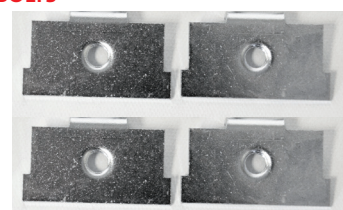
HOLE CAPS



M6 X 12 PAN HEAD SCREWS



M8 FLAT WASHERS

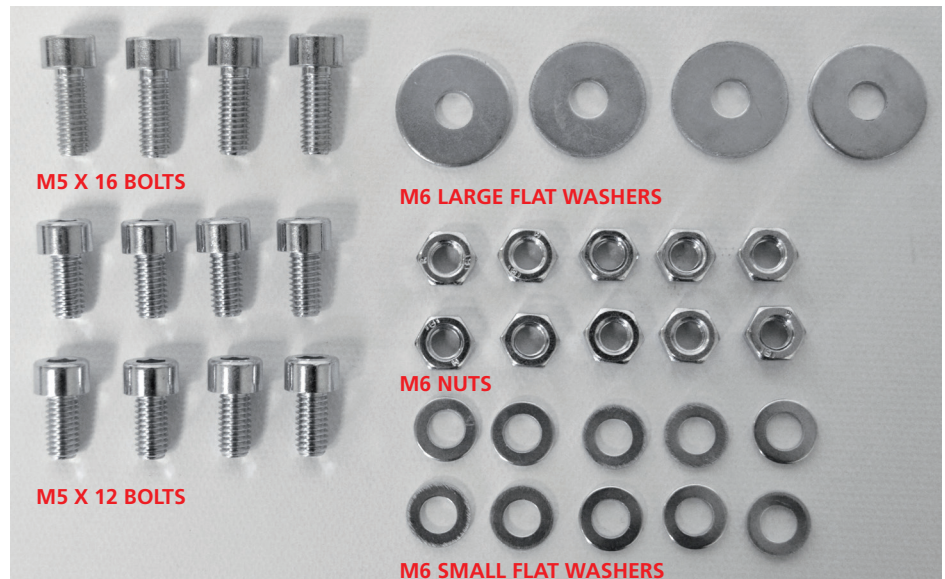


FRONT RAIL PLATE INSERTS

Hardware for 4-Leg Drawer Brackets

The following hardware is included with the VWR® 4-Leg Drawer Mounting Brackets:

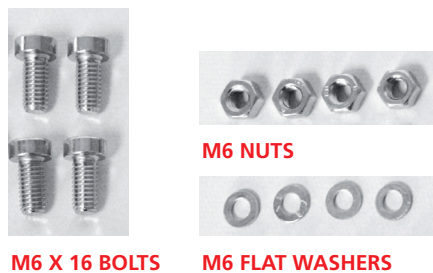
- (4) - M5 x 16 bolts
- (8) - M5 x 12 bolts
- (4) - M6 large flat washers
- (10) - M6 nuts
- (10) - M6 small flat washers



Hardware for 4-Leg Drawer Mounting - VWR® Drawers

The following hardware is for attachment of VWR® drawers to 4-Leg frame:

- (4) - M6 x 16 bolts
- (4) - M6 nuts
- (4) - M6 flat washers

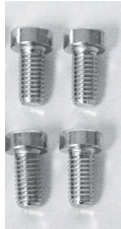




Hardware for 4-Leg Drawer Mounting - Contour™ Cabinets

The following hardware is for attachment of Contour™ drawers to 4-Leg frame:

- (4) - M6 x 16 bolts
- (4) - M6 nuts
- (4) - M6 flat washers



M6 X 16 BOLTS



M6 NUTS



M6 FLAT WASHERS

Hardware for C-Leg Manual/Motor Drawer Brackets

The following hardware is included for attachment of the drawer bracket to C-Leg Manual and Motor frames:

- (2) - M8 x 60 bolts



M8 X 60 BOLTS

Hardware for C-Leg Crank Drawer Brackets

The following hardware is included for attachment of the drawer bracket to C-Leg Crank frames:

- (2) - M6 x 20 pan head screws

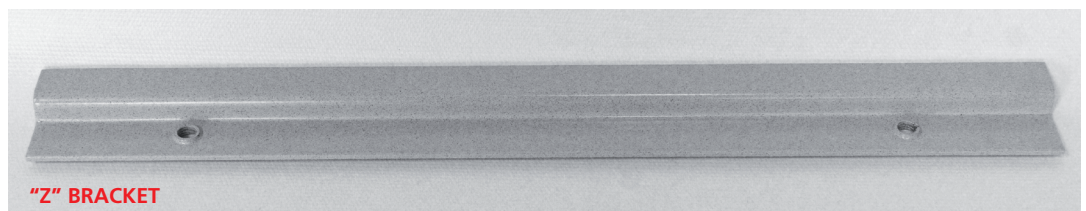
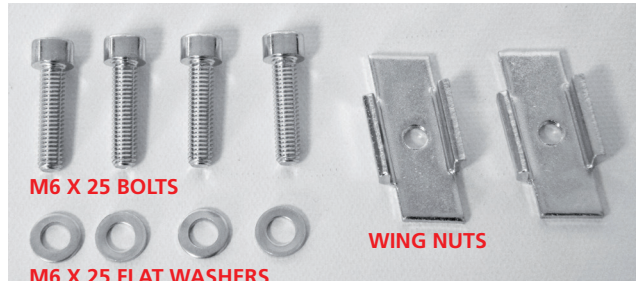


M6 X 20 PAN HEAD SCREWS

Hardware for C-Leg Drawer Mounting - VWR® Drawers

The following hardware is for attachment of drawers to C-Leg frame:

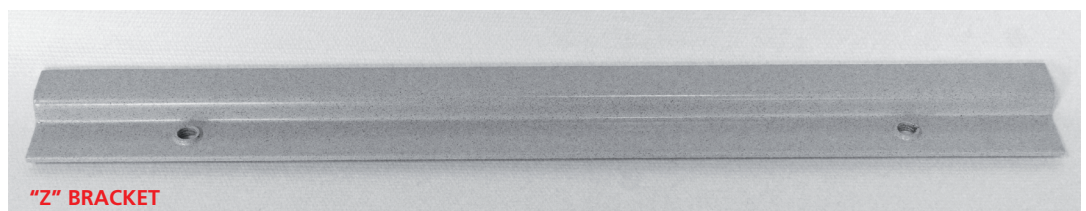
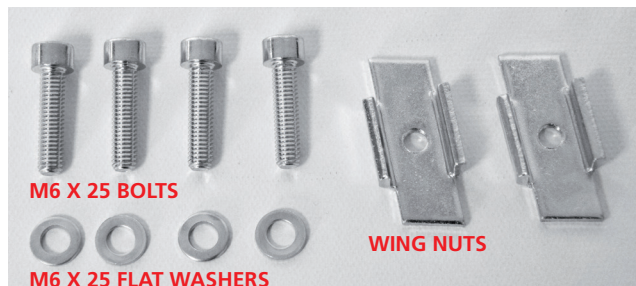
- (4) - M6 x 25 bolts
- (4) - M6 flat washers
- (2) - wing nuts
- (1) - "Z" bracket



Hardware for C-Leg Manual Drawer Mounting -Contour™ Cabinets

The following hardware is for attachment of drawers to C-Leg frame:

- (4) - M6 x 25 bolts
- (4) - M6 flat washers
- (2) - wing nuts
- (1) - "Z" bracket

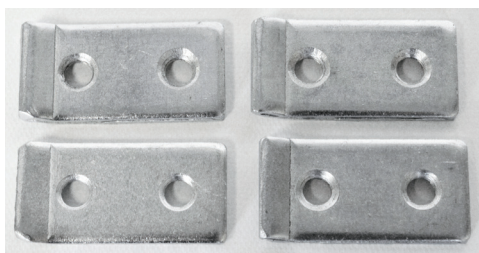




Hardware for Upright Attachment to Bench Frame

Upright Attachment Components:

- (4) - upright tabs
- (4) - M8 x 12 cap screws
- (4) - M8 washers



UPRIGHT TABS



M8 X 12
CAP SCREWS

M8 WASHERS

Hardware for Upright Corner Brackets

The following hardware is included with upright corner bracket pair:

- (4) - M5 x 12 bolts



M5 X 12 BOLTS

Hardware for Upright Straight Bracket

The following hardware is included with upright straight bracket:

- (2) - M5 x 12 bolts



M5 X 12 BOLTS

Hardware for Transport Skate

The following hardware is included with the transport skate:

- (4) - double casters (2 - locking, 2 - non-locking)
- (4) - M10 x 30 bolts
- (4) - M10 nuts
- (4) - M10 flat washers - small
- (4) - M10 flat washers - large



CASTERS, NON-LOCKING

CASTERS, LOCKING

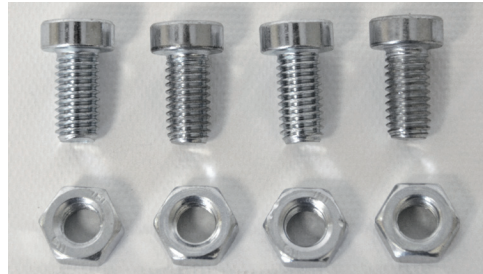
M10 X 30 BOLTS

M10 NUTS AND WASHERS

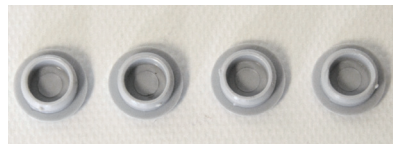
Hardware for Shelves

The following hardware is included with shelves:

- (4) - M8 x 16 bolts
- (4) - M8 nuts
- (4) - hole caps



M8 X 16 BOLTS AND NUTS



HOLE CAPS

Hardware for Shelf Lips

The following hardware is included with shelf lips:

- (4) - M8 x 16 bolts
- (4) - M8 nuts

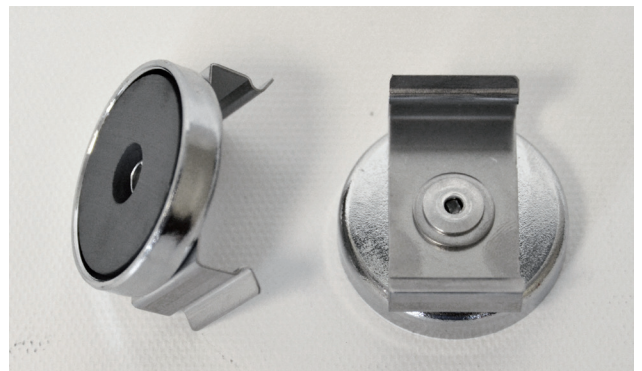


M8 X 16 BOLTS AND NUTS

Hardware for LED Magnetic Mounting Brackets

The following hardware is included with LED magnetic mounting brackets:

- (2) - Magnetic clips



DUAL LED MAGNETIC MOUNTING CLIPS



Hardware for CPU Holder C-Leg - Bar Mount

The following hardware is included with CPU holder C-leg bar mount:

- (2) - M4 x 6 pan head screws

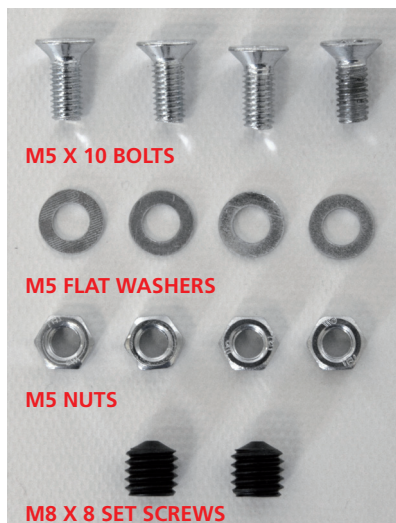


M4 X 6 PAN HEAD SCREWS

Hardware for CPU Holder C-Leg - Leg Mount

The following hardware is included with CPU holder leg mount:

- (4) - M5 x 10 bolts
- (4) - M5 nuts
- (4) - M5 flat washers
- (2) - M8 x 8 set screws



M5 X 10 BOLTS

M5 FLAT WASHERS

M5 NUTS

M8 X 8 SET SCREWS

Hardware for CPU Holder 4-Leg - Leg Mount

The following hardware is included with CPU holder 4-leg leg mount

- (4) - M5 x 12 bolts
- (4) - M5 nuts
- (4) - M5 flat washers
- (2) - square end caps



SQUARE END CAPS



M5 X 12 BOLTS

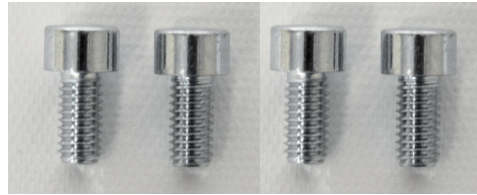
M5 FLAT WASHERS

M5 NUTS

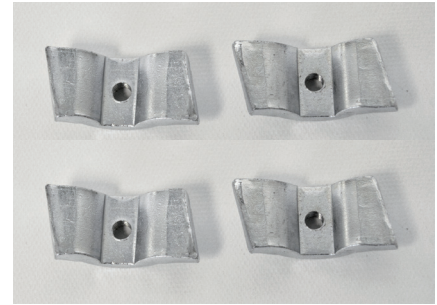
Hardware for Articulating Keyboard Tray

The following hardware is included with articulating keyboard tray:

- (4) - M6 x 12 bolts
- (4) - M6 wing nut



M6 X 12 BOLTS

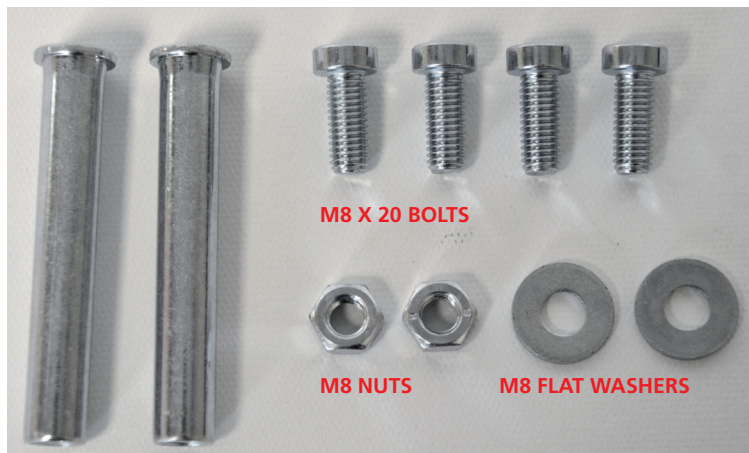
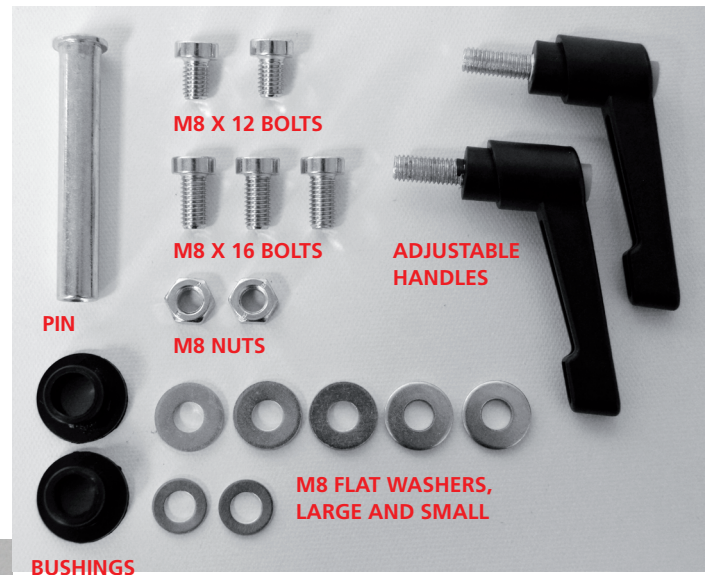


M6 WING NUTS

Hardware for LCD holder with double arm

The following hardware is included with LCD holder with double arm:

- (4) - M8 x 20 bolts
- (3) - Pins
- (2) - M8 x 12 bolts
- (3) - M8 x 16 bolts
- (4) - M8 nuts
- (7) - M8 flat washers
- (2) - Plastic bushings
- (2) - Adjustable handles



PINS

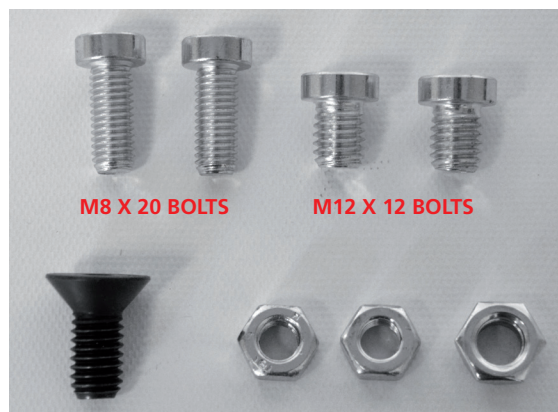
See above hardware for LCD holder with double arm, no additional hardware is needed for attaching a keyboard tray to an LCD arm.



Hardware for Height Adjustable LCD Monitor Arm

The following hardware is included with height adjustable LCD monitor arm:

- (2) - M8 x 20 bolts
- (2) - M8 nuts
- (2) - M12 x 12 bolts
- (1) - M10 x 15 hex bolt
- (1) - M10 lock nut
- (1) - retainer clip
- (5) - M5 x 6 flat head screws
- (4) - M4 x 12 pan head screws



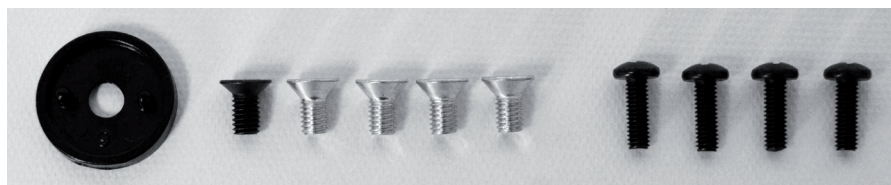
M8 X 20 BOLTS

M12 X 12 BOLTS

M10 X 15 HEX BOLT

M8 NUTS

M10 LOCK NUT



RETAINER CLIP

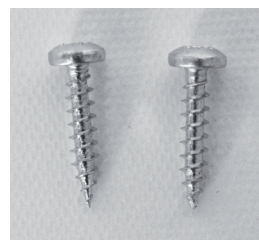
M5 X 6 FLAT HEAD SCREWS

M4 X 12 PAN HEAD SCREWS

Hardware for Bag Holder

The following hardware is included with bag holder:

- (2) - wood screws



WOOD SCREWS

Hardware for Roll Holder

The following hardware is included with roll holder:

- (2) - M6 x 16 bolts
- (2) - M8 nuts

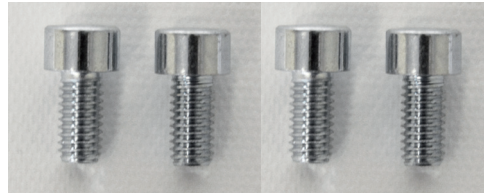


M8 X 16 BOLTS AND NUTS

Hardware for Bin Rails

The following hardware is included with bin rails:

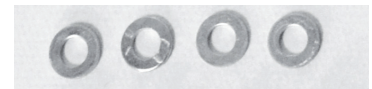
- (4) - M6 x 12 bolts
- (4) - M6 nuts
- (4) - M6 washers



M6 X 12 BOLTS



M6 NUTS



M6 FLAT WASHERS

Hardware for Footrest, Floor

The following hardware is included with footrest, floor:

- (4) - M8 x 16 bolts
- (2) - adjustable handles



M8 X 16 BOLTS



**ADJUSTABLE
HANDLES**



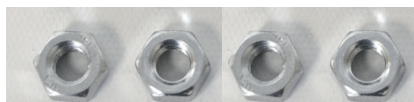
Hardware for Footrest, Floor - Height Adjustable

The following hardware is included with footrest, floor - height adjustable:

- (6) - M8 x 16 bolts
- (4) - M8 nuts
- (4) - M8 washers
- (4) - end caps
- (4) - spacers
- (2) - adjustable handles



M8 X 16 BOLTS



M8 NUTS



M8 WASHERS



SQUARE END CAPS



ADJUSTABLE HANDLES

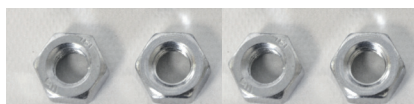
Hardware for Footrest, Bar Attachment

The following hardware is included with footrest, bar attachment:

- (6) - M8 x 16 bolts
- (4) - M8 nuts
- (4) - M8 washers
- (4) - end caps
- (4) - spacers
- (2) - adjustable handles



M8 X 16 BOLTS



M8 NUTS



M8 WASHERS



SQUARE END CAPS



ADJUSTABLE HANDLES

VWR® LAB BENCH ASSEMBLY INSTRUCTIONS



1.800.932.5000 | vwr.com

Prices and product details are current when published; subject to change without notice. | Certain products may be limited by federal, state, provincial, or local regulations. | VWR makes no claims or warranties concerning sustainable/green products. Any claims concerning sustainable/green products are the sole claims of the manufacturer and not those of VWR International, LLC. All prices are in US dollars unless otherwise noted. Offers valid in US and Canada, void where prohibited by law or company policy, while supplies last. | VWR, the VWR logo and variations on the foregoing are registered (®) or unregistered trademarks and service marks, of VWR International, LLC and its related companies. All other marks referenced are registered by their respective owner(s). | Visit vwr.com to view our privacy policy, trademark owners and additional disclaimers. ©2015 VWR International, LLC. All rights reserved.